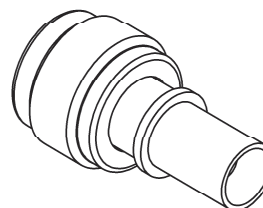
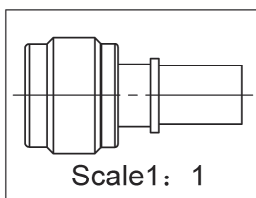
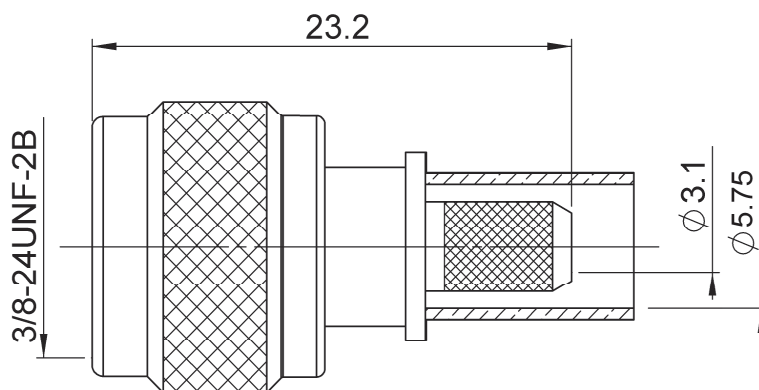


STRAIGHT CRIMP TYPE

CAB 5/50D

R154.078.100

Series : MINI-UHF



All dimensions are in mm.



COMPONENTS	MATERIALS	PLATING (µm)
BODY	BRASS	NICKEL 2
CENTER CONTACT	BRASS	GOLD 0.1 OVER NICKEL 2
OUTER CONTACT		
INSULATOR	PTFE	-
GASKET		
OTHERS PARTS	BRASS	NICKEL 2
-	-	-
-	-	-

Issue : 1013 A

In the effort to improve our products, we reserve the right to make changes judged to be necessary.



STRAIGHT CRIMP TYPE

R154.078.100

CAB 5/50D

Series : MINI-UHF

PACKAGING

Standard	Unit	Other
100	'W' option	Contact us

SPECIFICATION

ELECTRICAL CHARACTERISTICS

Impedance	50	Ω
Frequency	0-3	GHz
VSWR	1.25 + 0.0000	x F(GHz) Maxi
Insertion loss	0.2	\sqrt{F} (GHz) dB Maxi
RF leakage	- (-55)	- F(GHz) dB Maxi
Voltage rating	335	Veff Maxi
Dielectric withstanding voltage	1000	Veff mini
Insulation resistance	5000	M Ω mini

CABLE ASSEMBLY

Stripping	a	b	c	d	e	f
mm	5.00	8.00	16.5	0.00	11.5	0.00

Assembly instruction : **Crimp 02**

Recommended cable(s)
ECO142X

MECHANICAL CHARACTERISTICS

Center contact retention		
Axial force – Mating end	10	N mini
Axial force – Opposite end	NA	N mini
Torque	NA	N.cm mini

Characteristics indicated on this data sheet are those that can be achieved with the highest performance cable. Intrinsic limitations of the cable may diminish the performance of the assembly

Cable retention

- pull off	NA	N mini
- torque	NA	N.cm

TOOLING

Part Number	Description	Hexagon
R282.293.000	CRIMPING TOOL M22520/5-01	
R282.235.011	CRIMPING DIES M22520/5-11	
R282.223.000	CRIMPING TOOL	

Recommended torque		
Mating	0.46-0.69	N.cm
Panel nut	NA	N.cm
Clamp nut	NA	N.cm
A/F clamp nut	0.0000	mm
Mating life	100	Cycles mini
Weight	10.0000	g

ENVIRONMENTAL

Operating temperature	-40/+125	$^{\circ}$ C
Hermetic seal		Atm.cm3/s
Panel leakage	NA	

OTHER CHARACTERISTICS

Issue : 1013 A

In the effort to improve our products, we reserve the right to make changes judged to be necessary.

RADIAL 