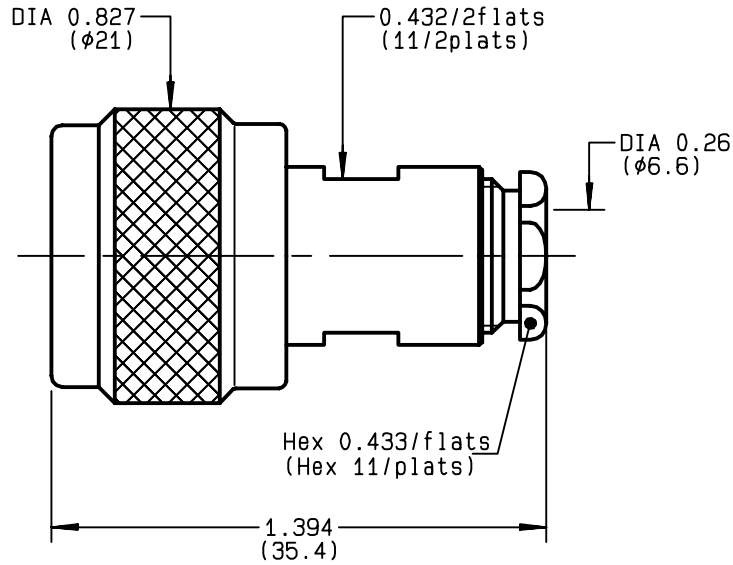


**STRAIGHT PLUG CLAMP TYPE  
CABLE .250**

**R161.053.000**  
**SERIES N**



NOMINAL IMPEDANCE	<b>50</b> Ω	CABLES : <b>KS 3</b> <b>RG 401</b>
FREQUENCY RANGE	<b>0-11</b> GHz	
TEMPERATURE RATING	<b>-55/+105</b> °C	
V.S.W.R	<b>1.25</b> + x F(GHz)Maxi	
RF INSERTION LOSS	<b>0.048</b> √F(GHz) dB Maxi	
VOLTAGE RATING	<b>1400</b> Veff Maxi	
DIELECTRIC WITHSTANDING VOLTAGE	<b>2500</b> Veff Mini	
INSULATION RESISTANCE	<b>5000</b> MΩMini	
HERMETIC SEAL	<b>NA</b> Atm.cm <sup>3</sup> /s	
LEAKAGE (pressurized only)	<b>NA</b>	
MECHANICAL DURABILITY	<b>500</b> Cycles	OTHERS CHARACTERISTICS
WEIGHT	<b>34</b> gr	CABLE RETENTION <b>500</b> N Mini
SPECIFICATION		CENTER CONTACT RETENTION
		Axial force - mating end <b>NA</b> N Mini
		Axial force - opposite end <b>NA</b> N Mini
		Torque <b>NA</b> cm.N Mini
		RECOMMENDED TORQUES
		Mating <b>130</b> cm.N
		Panel nut <b>NA</b> cm.N
		Clamp nut <b>450</b> cm.N

CONNECTOR PARTS	MATERIALS	FINISH	(all values are given ) in micrometers
BODY	BRASS	BBR 2	
OUTER CONTACT	BRASS	BBR 2	
CENTER CONTACT	BRASS	GOLD 0.5 OVER NICKEL 2	
INSULATOR	PTFE	-	
GASKET	SILICONE RUBBER	-	
OTHERS PIECES	BRASS	BBR 2	

ISSUE	CREATION DATE	FILE PART-NUMBER
<b>9812P01</b>	<b>12/10/1992</b>	<b>EPC 96-07</b>



BONMINI

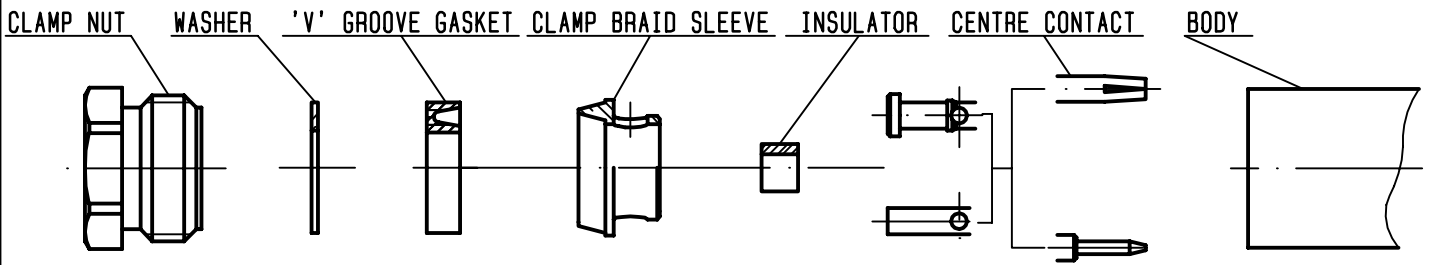
The information given here is subject to change without notice.  
Design changes may be in order to improve the product .

*Connect to the future*



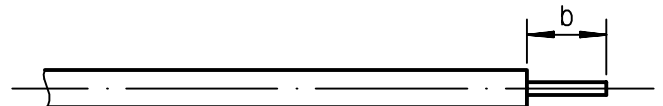
**R161.053.000**

ISSUE **9812P01** SERIES **N**



①

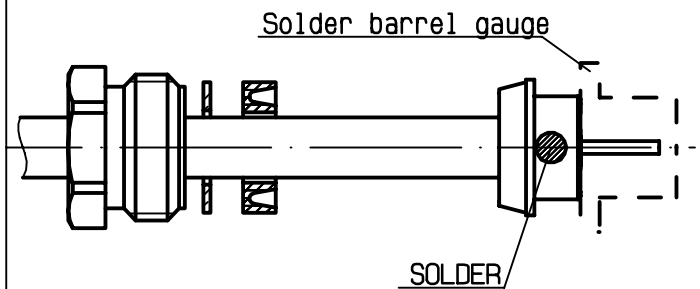
Take the tool kit : R 282 125 010 .  
Strip the dielectric of the cable .  
Stripping tool cable : R 282 054 .  
Trim cable centre conductor .  
Trimmer : R 282 074 020 .  
Clean the cable .



Stripping	a	b	c	d	e
inch	0	0.177 0	0	0	0
mm		4.5			

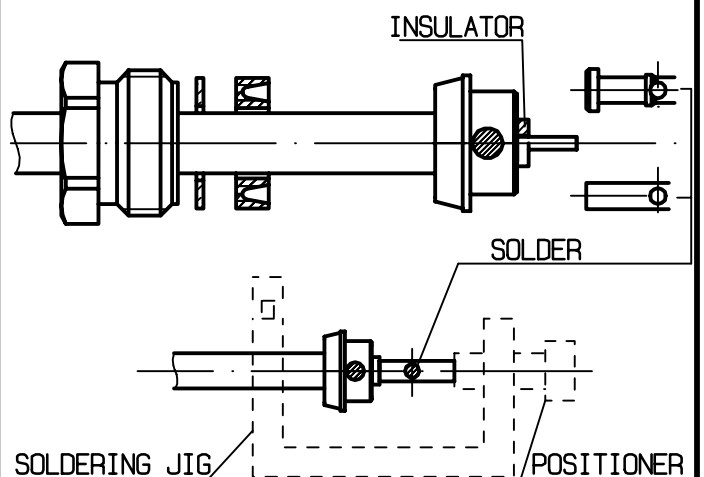
②

Slide the clamp nut , the washer , the 'V'groove gasket , the clamp braid sleeve and the solder barrel onto the cable .  
Position solder barrel flush against solder barrel gauge and solder to the cable or align with outer the conductor (b) .  
Solder barrel gauge : R 282 744 330 .



③

Once cooled , remove the solder barrel gauge .  
Cut the dielectric flush to clamp braid sleeve .  
Slide the insulator onto the cable inner conductor .  
Slide the centre contact onto the cable inner conductor against insulator .  
Fit the cable assembly onto the soldering jig R 282 740 030 and the positioner R 282 744 261 .  
Tighten cable and solder the centre contact .



④

Screw sub-assembly into the connector body .  
( recommended coupling torque 39.82 in.lb )

