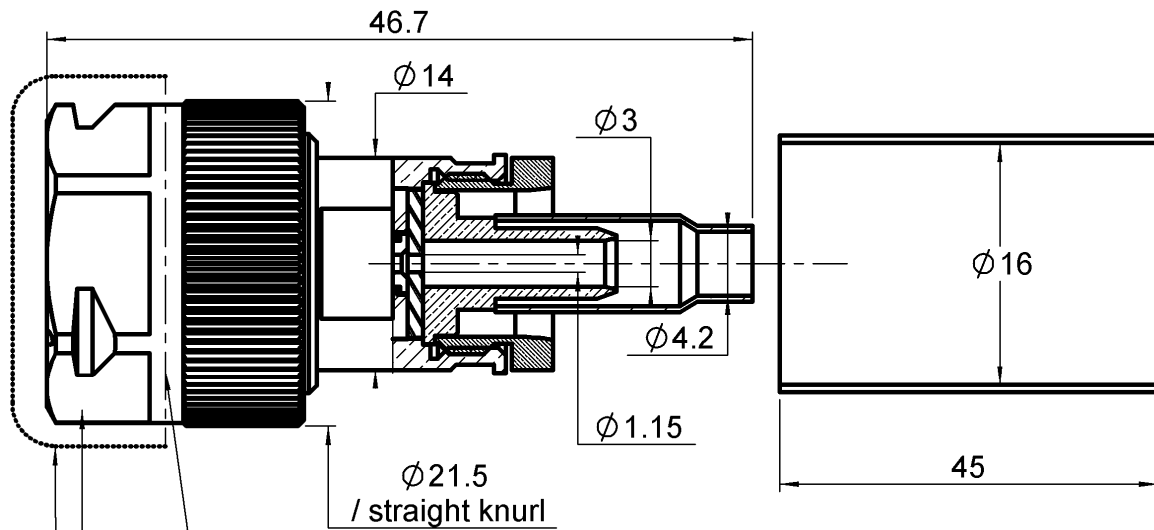


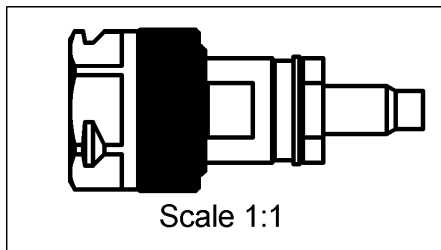
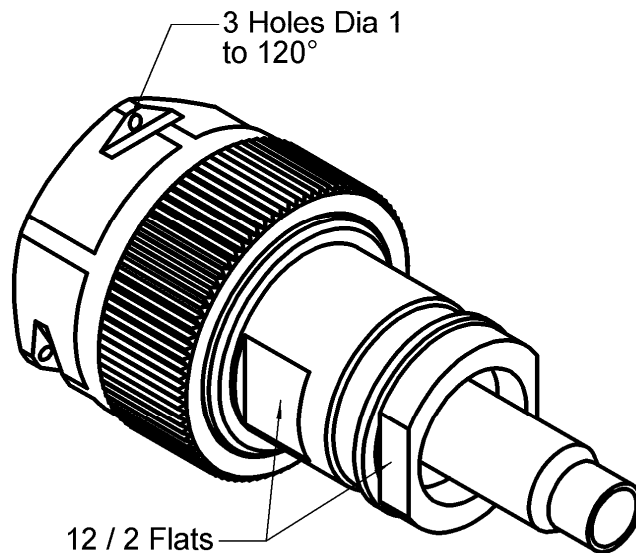
**STRAIGHT PLUG CRIMP TYPE**  
**WITH SAFETY COUPLING NUT-CABLE 3.85/50S**

**R161.073.025**

Series : N



Marking axis  
 Hex 18.9 / Flats  
 Protective Cap



All dimensions are in mm.



COMPONENTS	MATERIALS	PLATING (µm)
BODY	BRASS	NICKEL 2
CENTER CONTACT	BRASS	GOLD 1.3 OVER NICKEL 2
OUTER CONTACT	BRASS	NICKEL 2
INSULATOR	PTFE	
GASKET	SILICONE RUBBER	
OTHERS PARTS	BRASS	NICKEL 2
-	-	-
-	-	-

Issue : 1313 A

In the effort to improve our products, we reserve the right to make changes judged to be necessary.



**STRAIGHT PLUG CRIMP TYPE**

**R161.073.025**

**WITH SAFETY COUPLING NUT-CABLE 3.85/50S**

Series : N

**PACKAGING**

Standard	Unit	Other
<b>50</b>	<b>OPTION W</b>	<b>Contact us</b>

**SPECIFICATION**

**ELECTRICAL CHARACTERISTICS**

Impedance	<b>50</b>	$\Omega$
Frequency	<b>0-11</b>	GHz
VSWR	<b>*1.2 + 0,0000</b>	x F(GHz) Maxi
Insertion loss	<b>0.05</b>	$\sqrt{F}$ (GHz) dB Maxi
RF leakage	- ( <b>57</b> )	- F(GHz) dB Maxi
Voltage rating	<b>500</b>	Veff Maxi
Dielectric withstanding voltage	<b>1000</b>	Veff mini
Insulation resistance	<b>5000</b>	M $\Omega$ mini

**CABLE ASSEMBLY**

Stripping	a	b	c	d	e	f
mm	9,00	9,00	23,0	0,00	0,00	0,00

Assembly instruction :

Recommended cable(s)  
ASN-EO691-WM

Characteristics indicated on this data sheet are those that can be achieved with the highest performance cable. Intrinsic limitations of the cable may diminish the performance of the assembly

Cable retention

- pull off	<b>140</b>	N mini
- torque	<b>NA</b>	N.cm

**MECHANICAL CHARACTERISTICS**

Center contact retention		
Axial force – Mating end	<b>27</b>	N mini
Axial force – Opposite end	<b>27</b>	N mini
Torque	<b>NA</b>	N.cm mini

**TOOLING**

Part Number	Description	Hexagon
282.291	CRIMPING TOOL M22520/1-01	Selection 7
282.997	POSITIONER FOR TOOL 282.291(M22520/1-13)	Red Position
R282.223.000	CRIMPING TOOL	Hex 5.41
R282.246.000	CRIMPING DIES M22520/5-05	Hex 5.41
R282.293.000	CRIMPING TOOL M22520/5-01	

Recommended torque		
Mating	<b>160</b>	N.cm
Panel nut	<b>NA</b>	N.cm
Clamp nut	<b>370</b>	N.cm
A/F clamp nut	<b>12,0000</b>	mm

Mating life	<b>500</b>	Cycles mini
Weight	<b>41,6850</b>	g

**Mil TOOLING REF EQUIVALENT :**

M22520/1-01 = 282.991  
M22520/1-13 = 282.997  
M22520/5-05 = R282.246.000

**ENVIRONMENTAL**

Operating temperature	<b>-65/+165</b>	$^{\circ}$ C
Hermetic seal	<b>NA</b>	Atm.cm3/s
Panel leakage	<b>NA</b>	

**OTHER CHARACTERISTICS**

\*DC-3 GHz

Issue : 1313 A

In the effort to improve our products, we reserve the right to make changes judged to be necessary.

