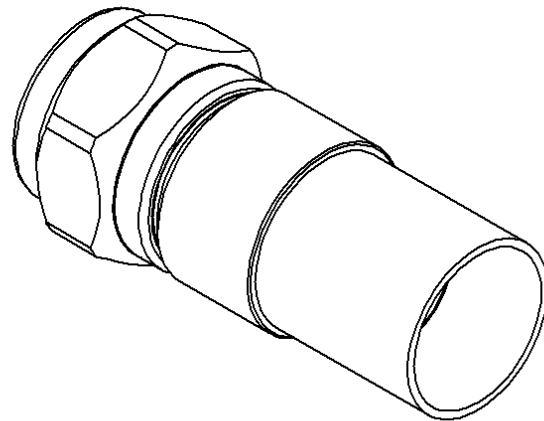
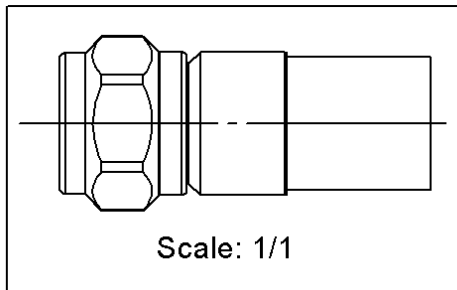
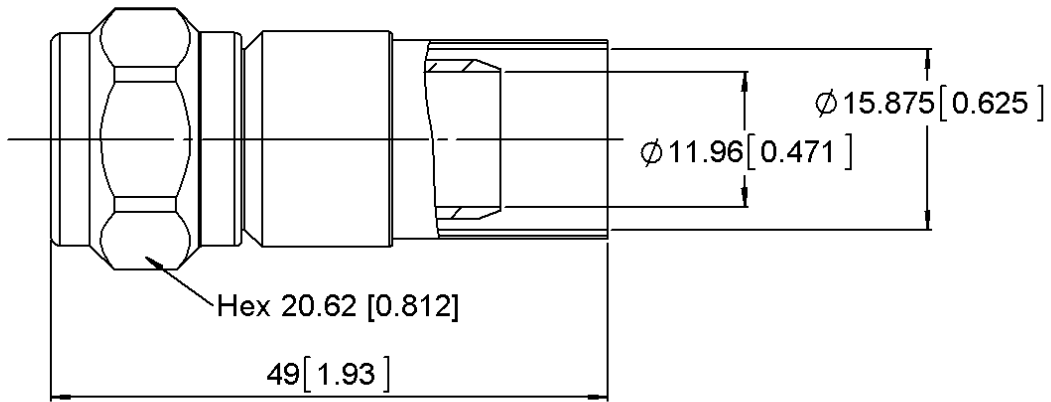


STRAIGHT PLUG FULL CRIMP

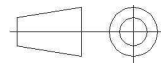
R161.079.200

CABLE 15/50S

Series : N



All dimensions are in mm.



| COMPONENTS | MATERIALS | PLATING (µm) |
|----------------|-----------------|------------------------|
| BODY | BRASS. | BBR2 |
| CENTER CONTACT | BRASS. | GOLD 0.8 OVER NICKEL 2 |
| OUTER CONTACT | BRASS. | BBR2 |
| INSULATOR | PTFE | |
| GASKET | SILICONE RUBBER | |
| OTHERS PARTS | BRASS. | BBR2 |
| - | - | - |
| - | - | - |

Issue : 1307 C

In the effort to improve our products, we reserve the right to make changes judged to be necessary.



STRAIGHT PLUG FULL CRIMP

R161.079.200

CABLE 15/50S

Series : N

PACKAGING

| Standard | Unit | Other |
|-----------|-------------------|-------------------|
| 50 | 'W' option | Contact us |

SPECIFICATION

ELECTRICAL CHARACTERISTICS

| | | |
|---------------------------------|-------------|------------------------------|
| Impedance | | 50 Ω |
| Frequency | | 0-11 GHz |
| VSWR | NA + | 0,0000 x F(GHz) Maxi |
| Insertion loss | | 0.048 √F(GHz) dB Maxi |
| RF leakage | - (| 101 - F(GHz)) dB Maxi |
| Voltage rating | | 1400 Veff Maxi |
| Dielectric withstanding voltage | | 2500 Veff mini |
| Insulation resistance | | 5000 MΩ mini |

CABLE ASSEMBLY

| Stripping | a | b | c | d | e | f |
|-----------|------|------|------|------|------|------|
| mm | 4,00 | 11,0 | 16,5 | 0,00 | 12,5 | 0,00 |

Assembly instruction : **Crimp 01**

Recommended cable(s)

LMR 600
AEP-600FR

Characteristics indicated on this data sheet are those that can be achieved with the highest performance cable. Intrinsic limitations of the cable may diminish the performance of the assembly

Cable retention

- pull off **500** N mini
- torque **NA** N.cm

MECHANICAL CHARACTERISTICS

| | | |
|----------------------------|-----------|-----------|
| Center contact retention | | |
| Axial force – Mating end | 27 | N mini |
| Axial force – Opposite end | 27 | N mini |
| Torque | NA | N.cm mini |

TOOLING

| Part Number | Description | Hexagon |
|--------------|------------------------------|---------|
| . | . | . |
| R282.235.166 | | 15.49 |
| R282.293.000 | CRIMPING TOOL M22520/5-01 | |

| | | |
|--------------------|---------------|------|
| Recommended torque | | |
| Mating | 428 | N.cm |
| Panel nut | NA | N.cm |
| Clamp nut | NA | N.cm |
| A/F clamp nut | 0,0000 | mm |

| | | |
|-------------|----------------|-------------|
| Mating life | 500 | Cycles mini |
| Weight | 57,1600 | g |

OTHER CHARACTERISTICS

ENVIRONMENTAL

| | | |
|-----------------------|-----------------|-----------|
| Operating temperature | -55/+155 | ° C |
| Hermetic seal | NA | Atm.cm3/s |
| Panel leakage | NA | |

Issue : 1307 C

In the effort to improve our products, we reserve the right to make changes judged to be necessary.

