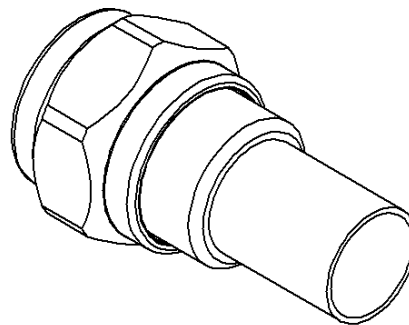
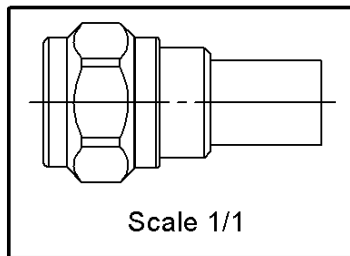
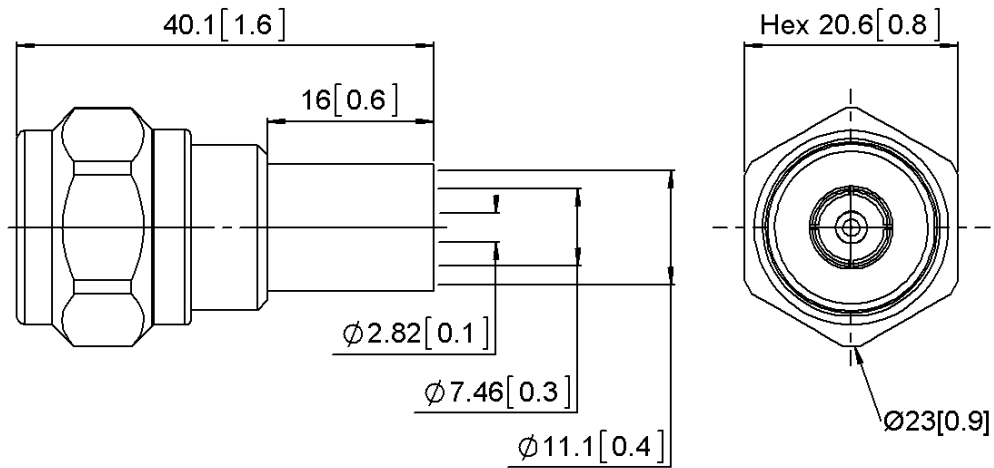
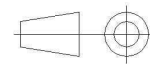


PAGE 1/2	ISSUE 1423 A	SERIES N	PART NUMBER <b>R161088180</b>
----------	--------------	----------	-------------------------------



All dimensions are in mm.



COMPONENTS	MATERIALS	PLATING (µm)
Body	<b>BRASS.</b>	<b>BBR2</b>
Center contact	<b>BRASS.</b>	<b>GOLD 0.5 OVER NICKEL 2</b>
Outer contact	<b>BRASS.</b>	<b>BBR2</b>
Insulator	<b>PTFE</b>	
Gasket	<b>SILICONE RUBBER</b>	
Others parts	<b>BRASS.</b>	<b>BBR2</b>
-	-	-
-	-	-

PAGE 2/2	ISSUE 1423 A	SERIES N	PART NUMBER <b>R161088180</b>
----------	--------------	----------	-------------------------------

**PACKAGING**

Standard	Unit	Other
<b>50</b>	<b>Contact us</b>	<b>Contact us</b>

**ELECTRICAL CHARACTERISTICS**

Impedance	<b>50</b>	Ω
Frequency	<b>0-11</b>	GHz
VSWR	<b>1.30 + 0.0000</b>	x F(GHz) Maxi
Insertion loss	<b>0.048</b>	√F(GHz) dB Maxi
RF leakage	- ( <b>101</b> )	- F(GHz) dB Maxi
Voltage rating	<b>1400</b>	Veff Maxi
Dielectric withstanding voltage	<b>2000</b>	Veff mini
Insulation resistance	<b>5000</b>	MΩ mini

**ENVIRONMENTAL**

Operating temperature	<b>-55/+155</b>	°C
Hermetic seal	<b>NA</b>	Atm.cm3/s
Panel leakage	<b>NA</b>	

**SPECIFICATION**

**MECHANICAL CHARACTERISTICS**

Center contact retention		
Axial force – Mating End	<b>68</b>	N mini
Axial force – Opposite end	<b>68</b>	N mini
Torque	<b>NA</b>	N.cm mini
Recommended torque		
Mating	<b>130</b>	N.cm
Panel nut	<b>NA</b>	N.cm
Clamp nut	<b>NA</b>	N.cm
A/F clamp nut	<b>0.0000</b>	mm
Mating life	<b>500</b>	Cycles mini
Weight	<b>38.4700</b>	g

**CABLE ASSEMBLY**

Stripping	a	b	c	d	e	f
mm	<b>5</b>	<b>8</b>	<b>14</b>	<b>0</b>	<b>9</b>	<b>0</b>

Assembly instruction: **Crimp 01**

Recommended cable(s)

**AEP-400FR**  
**LMR 400 FR**  
**LMR 400**

Characteristics indicated on this data sheet are those that can be achieved with the highest performance cable. Intrinsic limitations of the cable may diminish the performance of the assembly

Cable retention

- pull off	<b>400</b>	N mini
- torque	<b>NA</b>	N.cm

**TOOLING**

Part Number	Description	Hexagon
R282231000	CRIMPING TOOL	10.54
R282235116	CRIMPING DIES	10.54
R282293000	CRIMPING TOOL M22520/5-01	

**OTHER CHARACTERISTICS**