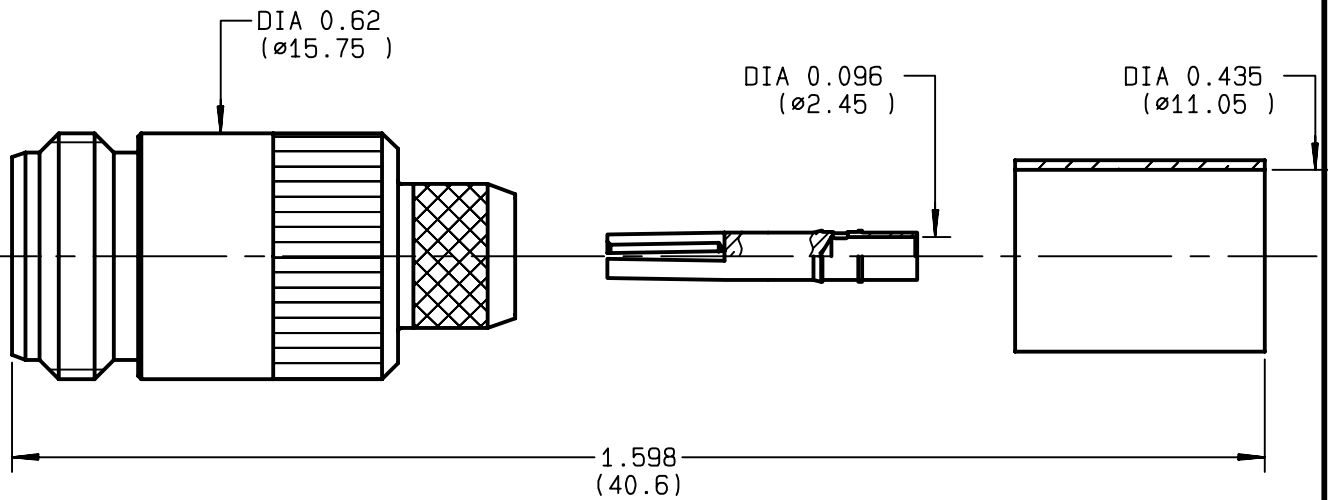


**STRAIGHT JACK FULL CRIMP-TYPE  
CABLE 10/50 S**

**R161.241.000**  
**SERIES N**



NOMINAL IMPEDANCE	<b>50</b> Ω
FREQUENCY RANGE	<b>0-11</b> GHz
TEMPERATURE RATING	<b>-55/+155</b> °C
V.S.W.R	<b>1.30</b> + x F(GHz)Maxi
RF INSERTION LOSS	<b>0.048</b> √F(GHz) dB Maxi
VOLTAGE RATING	<b>1400</b> Veff Maxi
DIELECTRIC WITHSTANDING VOLTAGE	<b>2500</b> Veff Mini
INSULATION RESISTANCE	<b>5000</b> MΩMini
HERMETIC SEAL	<b>NA</b> Atm.cm <sup>3</sup> /s
LEAKAGE (pressurized only)	<b>NA</b>
MECHANICAL DURABILITY	<b>500</b> Cycles
WEIGHT	<b>30.1</b> gr
SPECIFICATION	

CABLES : <b>KX 4</b>	
<b>RG 165</b>	
<b>RG 213</b>	
OTHERS CHARACTERISTICS	
CABLE RETENTION	<b>300</b> N Mini
CENTER CONTACT RETENTION	
Axial force - mating end	<b>68</b> N Mini
Axial force - opposite end	<b>68</b> N Mini
Torque	<b>NA</b> cm.N Mini
RECOMMENDED TORQUES	
Mating	<b>NA</b> cm.N
Panel nut	<b>NA</b> cm.N
Clamp nut	<b>NA</b> cm.N

CONNECTOR PARTS	MATERIALS	FINISH	(all values are given in micrometers)
BODY	BRASS	BBR 2	
OUTER CONTACT	BRASS	BBR 2	
CENTER CONTACT	BERYLLIUM COPPER	GOLD 0.5 OVER NICKEL 2	
INSULATOR	PTFE	-	
GASKET		-	
OTHERS PIECES	BRASS	BBR 2	

ISSUE	CREATION DATE	FILE PART-NUMBER
<b>9726P01</b>	<b>21/07/1993</b>	



BONOMINI

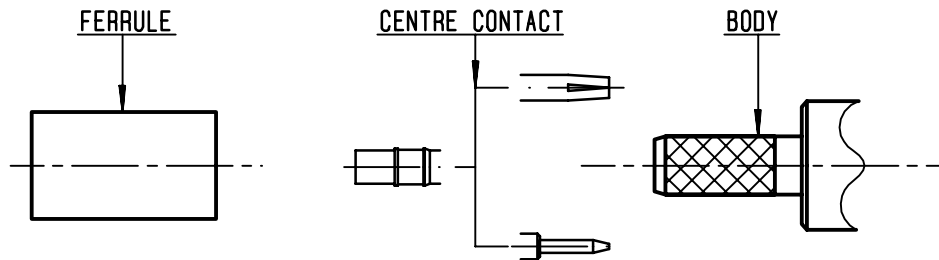
The information given here is subject to change without notice. Design changes may be in order to improve the product .

*Connect to the future*



**R161.241.000**

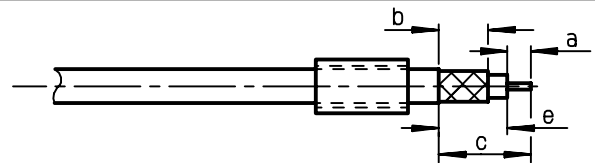
ISSUE **9726P01** SERIES **N**



①

Slide onto the cable the ferrule  
Strip the cable .

-  
-

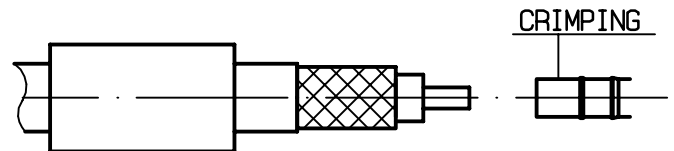


Stripping	a	b	c	d	e
inch	0.197	0.315	0.551	0	0.354
mm	5	8	14		9

②

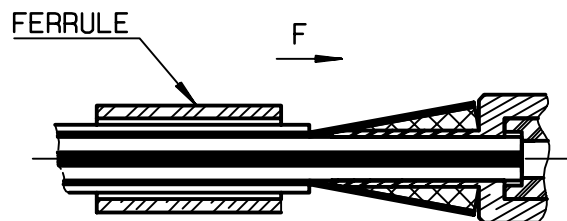
Slide on centre contact until it bottoms against cable dielectrique .  
Crimp centre contact .  
Crimping tool : R282 231 000 ( Hex. : .100 )  
or R282 293 000 ( M22520/5-01 )  
+ dies R282 235 116 ( Y 116 DANIELS ).

-



③

Fan the braid .  
Slide cable dielectrique into the body while gently ginding the braid over the knurl .  
Push until the dielectrique clicks into position .  
Slide ferrule over braid in direction F .



④

Crimp the ferrule with crimping tool R 282 231 000 ( Hex. : .415 ) or crimping tool R282 293 000 ( M22520/5-01 ) + dies R282 235 116 ( Y 116 DANIELS ).  
Cut the excess of braid .

-

