

STRAIGHT JACKS, FOR SEMI RIGID CABLES

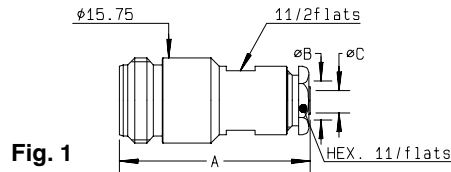


Fig. 1

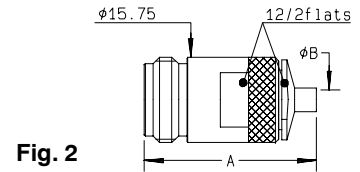


Fig. 2

cable group	part number	fig.	dimensions (mm)			captured center contact	mounting	note
			A	B	C			
.141"	R161 227 000	1	35.5	5.6	3.65	NO	M06	Clamp type
.141"	R161 227 020●	1	35.5	5.6	3.65	YES	M06	Clamp type
.141"	R161 226 020	2	32	3.65		NO	M21	Solder type

● Upon request

25.4 mm SQUARE FLANGE, STRAIGHT JACKS, FULL CRIMP TYPE, FOR FLEXIBLE CABLES (single piece body) (25.4 mm = 1 inch)

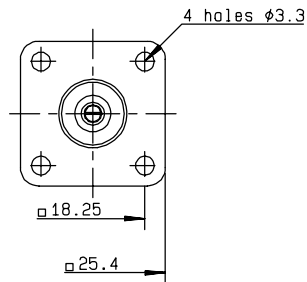


Fig. 1

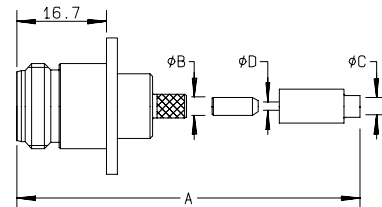
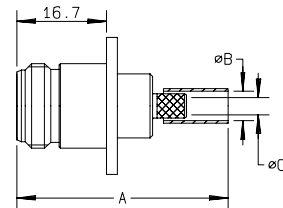
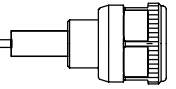


Fig. 2

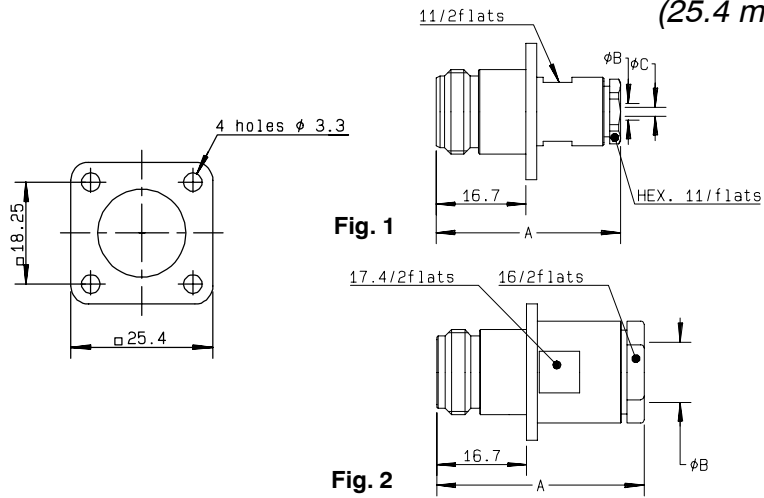


cable group	part number	fig.	dimensions (mm)				captured center contact	mounting	panel
			A	B	C	D			
2 / 50 / S + D	R161 281 000	1	40.3	3.38	2.55	1	YES	M09	P01
2.6 / 50 / S+D	R161 281 300	1	40.3	3.38	3.25	1.63	YES	M09	P01
5 / 50 / S	R161 282 000	2	39.3	5.41	3.11		YES	M12	P01
5 / 50 / D	R161 283 000	2	39.3	5.8	3.11		YES	M12	P01
10 / 50 / S	R161 286 000	2	40.6	11.05	7.46		YES	M10	P01
11 / 50 / D	R161 286 200	2	40.6	11.4	7.46		YES	M10	P01

Note : standard packaging = 50 pieces. For unit packaging, add "W" after the P/N.

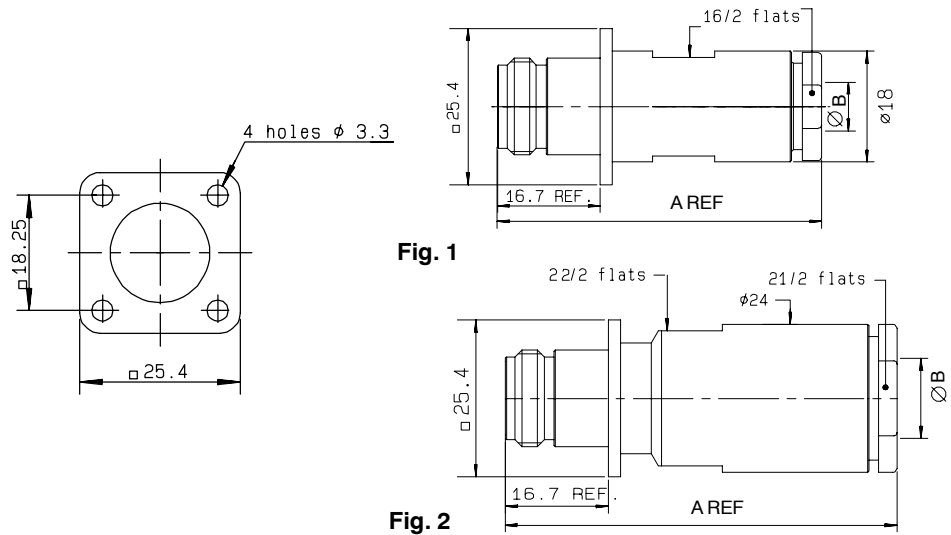


25.4 mm SQUARE FLANGE, STRAIGHT JACKS, CLAMP TYPE FOR FLEXIBLE CABLES (25.4 mm = 1 inch)



cable group	part number	fig.	dimensions (mm)			captured center contact	mounting	panel
			A	B	C			
2.6 / 50 / S + D	R161 252 000	1	34.3	3.1	1.7	YES	M01	P01
5 / 50 / S + D	R161 256 000	1	35.4	5.6		YES	M03	P01
10 + 11 / 50 / S + D	R161 270 000	2	39.3	11.2		YES	M05	P01

25.4 mm SQUARE FLANGE, STRAIGHT JACKS, EZ FIT TYPE, FOR CORRUGATED CABLES (25.4 mm = 1 inch)



cable group	part number	fig.	dimensions (mm)		captured center contact	mounting	panel
			A	B			
1/4" superflexible corrugated	R161 279 007	1	52.7	7.9	YES	M22	P01
3/8" superflexible corrugated	R161 279 207	2	66	11	YES	M22	P01
1/2" superflexible corrugated	R161 279 407	2	66	14	YES	M22	P01

Note : standard packaging = 50 pieces. For unit packaging, add "W" after the P/N.