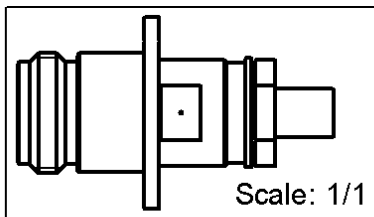
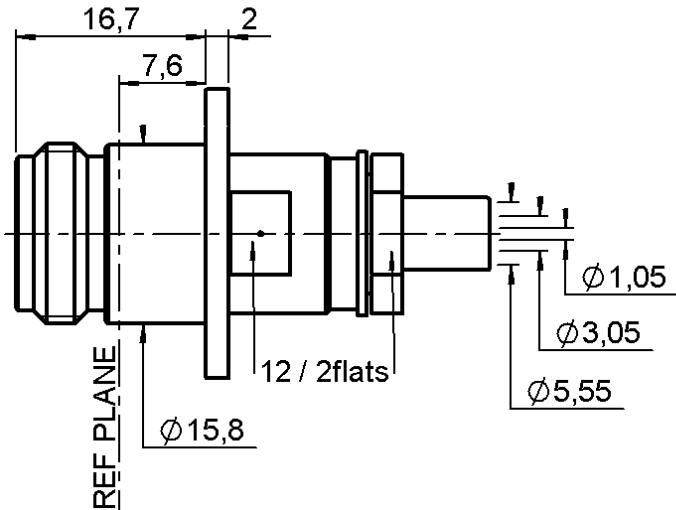
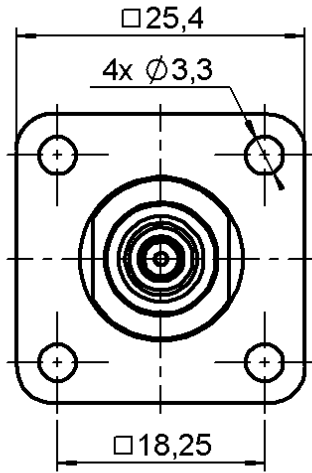
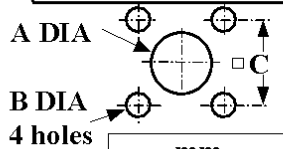


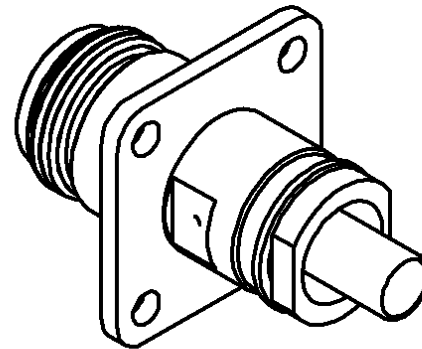
PAGE 1/3	ISSUE 21-10-15H	SERIES N	PART NUMBER R161297000
----------	-----------------	----------	------------------------



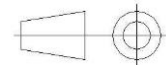
PANEL CUT OUT



	mm	
	Maxi	mini
A	16.3	16.1
B	3.3	3.2
C	18.35	18.15



All dimensions are in mm.



COMPONENTS	MATERIALS	PLATING (µm)
Body	BRASS	NICKEL .
Center contact	BERYLLIUM COPPER	GOLD OVER NICKEL
Outer contact	BRASS	NICKEL .
Insulator	PTFE	
Gasket	-	
Others parts	BRASS	NICKEL .
-	-	-
-	-	-

PAGE 2/3	ISSUE 21-10-15H	SERIES N	PART NUMBER R161297000
-----------------	------------------------	-----------------	-------------------------------

PACKAGING

Standard	Unit	Other
50	Contact us	Contact us

ELECTRICAL CHARACTERISTICS

Impedance	50	Ω
Frequency	0-3	GHz
VSWR	1.15 + 0,0000	x F(GHz) Maxi
Insertion loss	0.048	\sqrt{F} (GHz) dB Maxi
RF leakage	- (101)	- F(GHz)) dB Maxi
Voltage rating	850	Veff Maxi
Dielectric withstanding voltage	1500	Veff mini
Insulation resistance	5000	M Ω mini

MECHANICAL CHARACTERISTICS

Center contact retention		
Axial force – Mating End	27	N mini
Axial force – Opposite end	27	N mini
Torque	NA	N.cm mini
Recommended torque		
Mating	NA	N.cm
Panel nut	NA	N.cm
Clamp nut	370	N.cm
A/F clamp nut	12,0000	mm
Mating life	500	Cycles mini
Weight	40,8398	g

ENVIRONMENTAL

Operating temperature	-55/+155	$^{\circ}\text{C}$
Hermetic seal	NA	Atm.cm3/s
Panel leakage	NA	

SPECIFICATION

ASN-E0462 TC01 T 00

CABLE ASSEMBLY

Stripping	a	b	c	d	e	f
mm	9	9	23	0	0	0

Assembly instruction:

Recommended cable(s)

KX 23
RG 142 FTX
RG 142 BU
RG 400
RG 223

Characteristics indicated on this data sheet are those that can be achieved with the highest performance cable. Intrinsic limitations of the cable may diminish the performance of the assembly

Cable retention

- pull off	200	N mini
- torque	NA	N.cm

TOOLING

Part Number	Description	Hexagon
R282246000	CRIMPING DIES M22520/5-05	5.41
282291	CRIMPING TOOL M22520/1-01	2x4 (pos. 7)
282997	POSITIONER FOR TOOL 282.291(M22520/1-13)	rouge
R282293000	CRIMPING TOOL M22520/5-01	-
R282235011	CRIMPING DIES M22520/5-11	5.41
R282223000	CRIMPING TOOL	5.41

OTHER CHARACTERISTICS

-