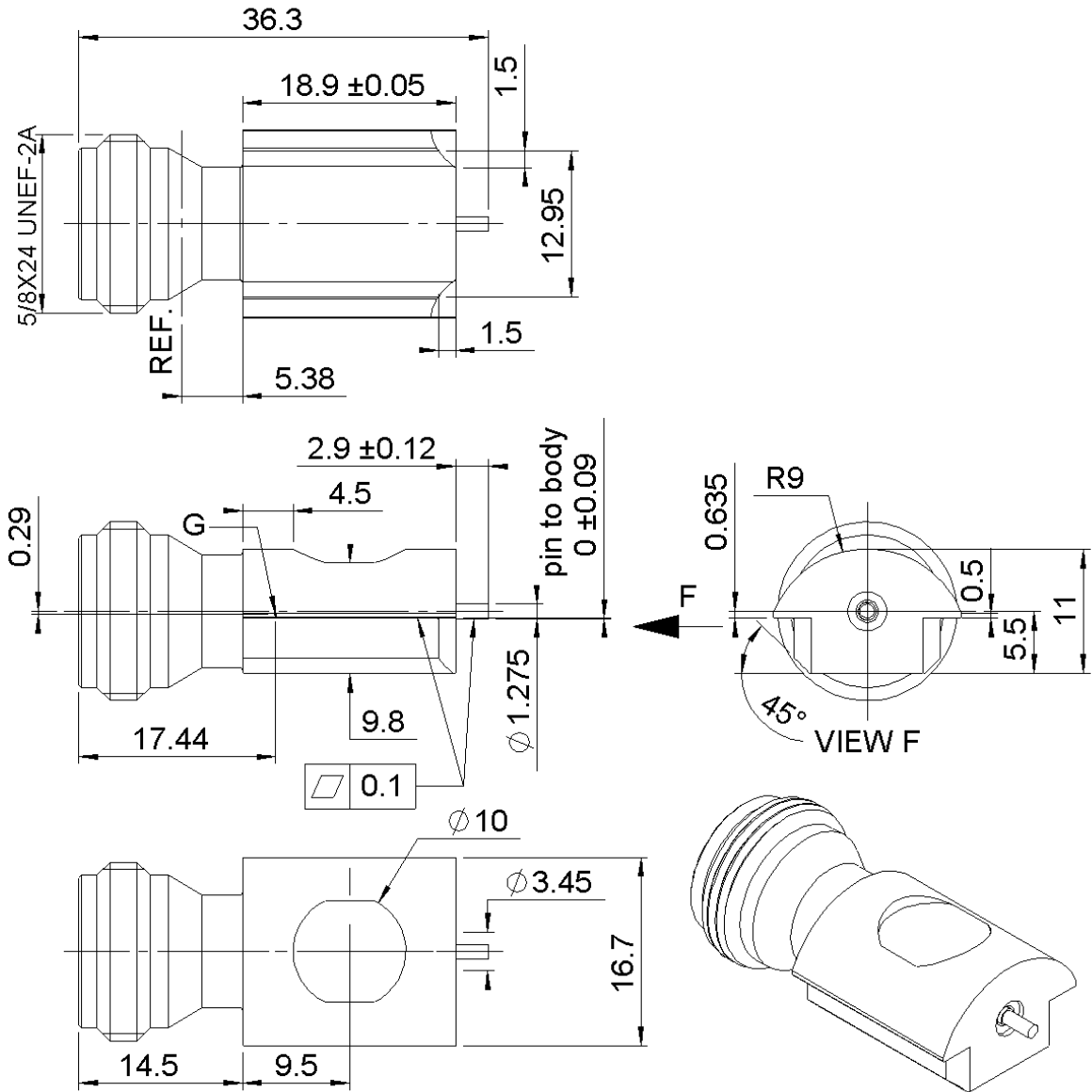


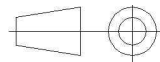
EDGE CARD FEMALE RECEPTACLE

R161.427.223

Series : N



All dimensions are in mm.



COMPONENTS	MATERIALS	PLATING (µm)
BODY	BRASS	NPGR
CENTER CONTACT	BERYLLIUM COPPER	NPGR
OUTER CONTACT	-	-
INSULATOR	PTFE	-
GASKET	-	-
OTHERS PARTS	-	-
-	-	-
-	-	-

Issue : 0749 B

In the effort to improve our products, we reserve the right to make changes judged to be necessary.



EDGE CARD FEMALE RECEPTACLE

R161.427.223

Series : N

PACKAGING

SPECIFICATION

Standard	Unit	Other
20	'W' option	Contact us

ELECTRICAL CHARACTERISTICS

ENVIRONMENTAL

Impedance	50	Ω
Frequency	0-11	GHz
VSWR	1.2 + 0,0000	x F(GHz) Maxi
Insertion loss	0.15	\sqrt{F} (GHz) dB Maxi
RF leakage	- (NA)	- F(GHz)) dB Maxi
Voltage rating	1400	Veff Maxi
Dielectric withstanding voltage	1500	Veff mini
Insulation resistance	5000	M Ω mini

Operating temperature	-55/+155	$^{\circ}$ C
Hermetic seal	NA	Atm.cm3/s
Panel leakage	NA	

OTHER CHARACTERISTICS

Assembly instruction **NA**

Others :
0-3GHz

MECHANICAL CHARACTERISTICS

Center contact retention		
Axial force – Mating end	27	N mini
Axial force – Opposite end	20	N mini
Torque	NA	N.cm mini
Recommended torque		
Mating	NA	N.cm
Panel nut	NA	N.cm
Mating life	500	Cycles mini
Weight	28,7000	g

Issue : 0749 B

In the effort to improve our products, we reserve the right to make changes judged to be necessary.



EDGE CARD FEMALE RECEPTACLE

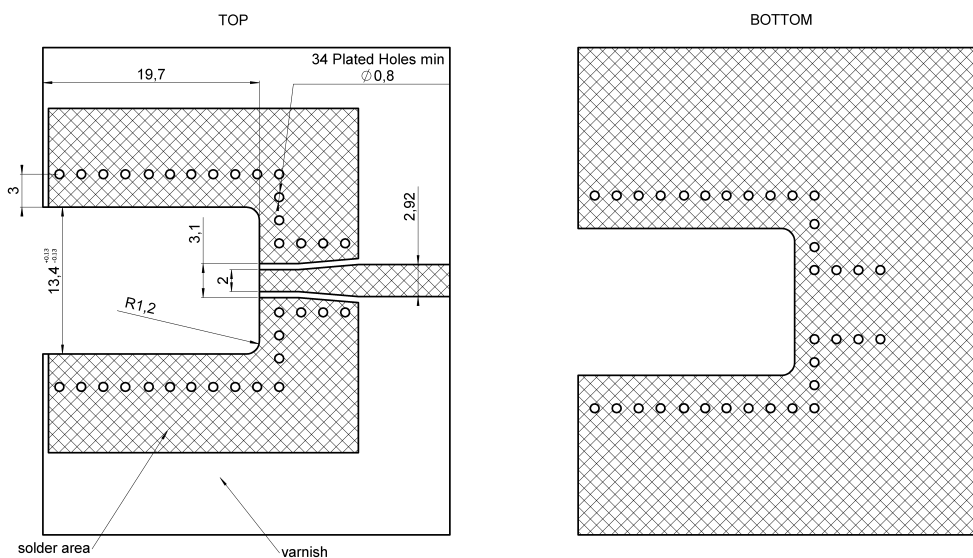
R161.427.223

Series : N

N SERIES - INFORMATIONS

Strip line Thickness of PCB : 1.6mm

The material of PCB is FR4 . (Er = 4.6) .



Issue : 0749 B

In the effort to improve our products, we reserve the right to make changes judged to be necessary.

