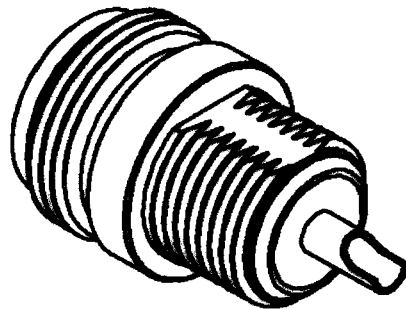
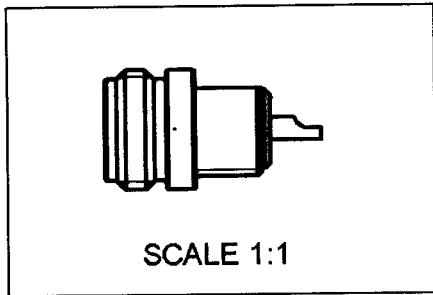
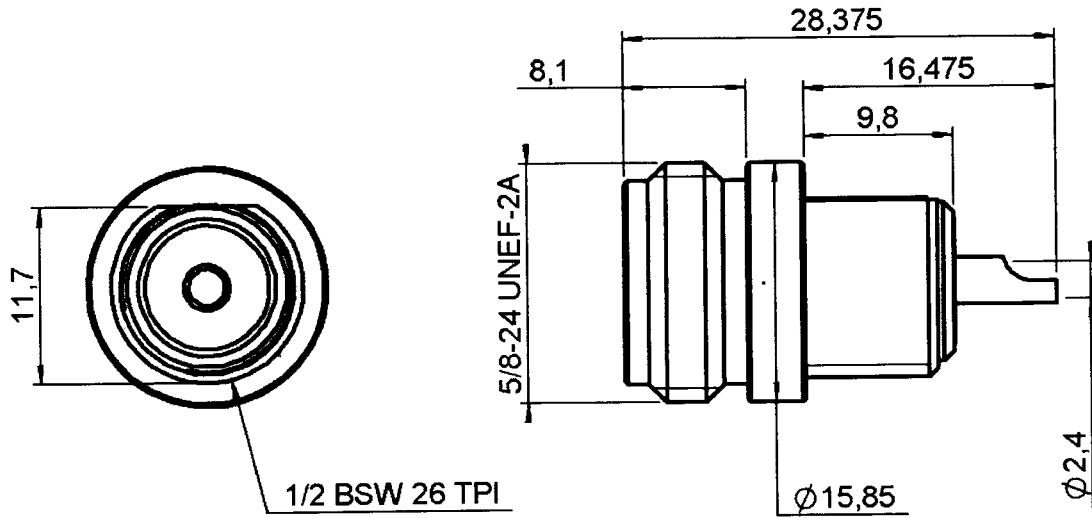


**JACK RECEPTACLE FRONT MOUNTING**

**R161.532.020**

**WITH SOLDER POT CONTACT**

Series : N



All dimensions are in mm.

COMPONENTS	MATERIALS	PLATING
BODY	BRASS	BBR 2 µm
CENTRE CONTACT	BERYLLIUM COPPER	GOLD 0.5 OVER NICKEL 2 µm
OUTER CONTACT	-	- µm
INSULATOR	PTFE	
GASKET	-	
OTHERS PARTS	-	- µm
.	-	-
.	-	-



**JACK RECEPTACLE FRONT MOUNTING**

**R161.532.020**

**WITH SOLDER POT CONTACT**

Series : N

**ELECTRICAL CHARACTERISTICS**

Impedance **50** Ω  
 Frequency **0-11** GHz  
 VSWR **1.3 + 0.000** x F(GHz) Maxi  
 Insertion loss **0.048** √F(GHz) dB  
 RF leakage - ( - F(GHz)) dB mini  
 Voltage rating **1400** Veff Maxi  
 Dielectric withstanding voltage **2500** Veff mini  
 Insulation resistance **5000** MΩ mini

**SPECIFICATION**

Stripping	a	b	c	d	e	f
mm	0.00	0.00	0.00	0.00	0.00	0.00

Assembly instruction : **A**

Recommended cable(s)

**MECHANICAL CHARACTERISTICS**

Centre contact retention  
 Axial force – Mating end **27** N mini  
 Axial force – Opposite end **27** N mini  
 Torque **NA** N.cm mini

Cable retention  
 - pull off **NA** N mini  
 - torque **-** N.cm

**TOOLING**

Part Number	Description	Hexagon
.	.	.

Recommended torque  
 Mating **NA** N.cm  
 Panel nut **NA** N.cm  
 Clamp nut **NA** N.cm  
 A/F clamp nut **0.000** mm

**OTHERS CHARACTERISTICS**

Mating life **500** Cycles mini  
 Weight **17.500** g

**ENVIRONMENTAL**

Operating temperature **-55/+165** °C  
 Leakage – pressurised only **NA** Atm.cm3/s  
 Hermetic seal **NA** Mpa

