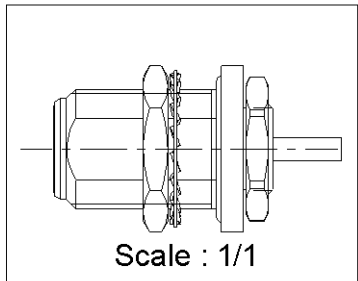
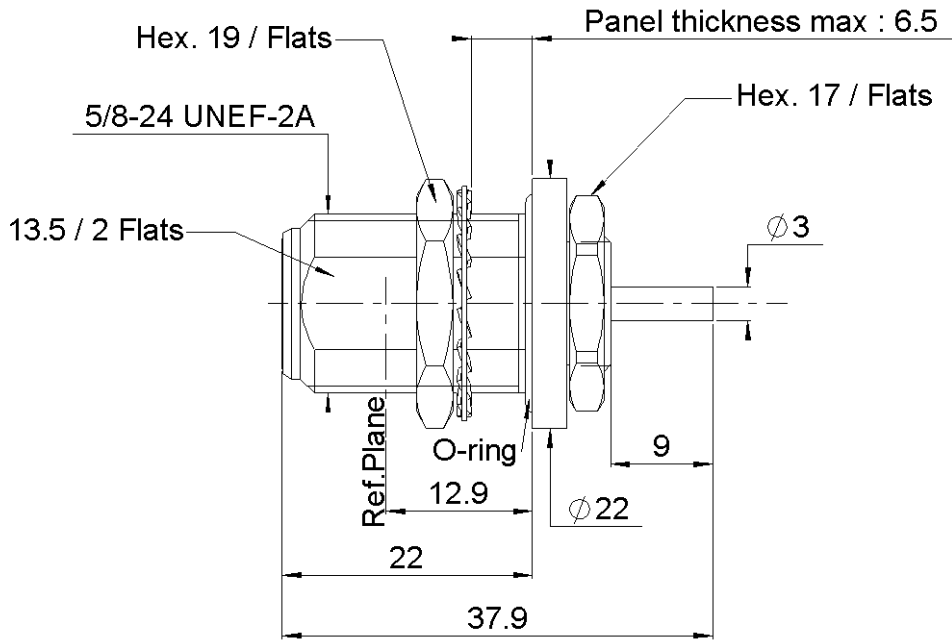
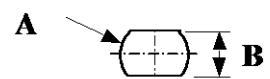


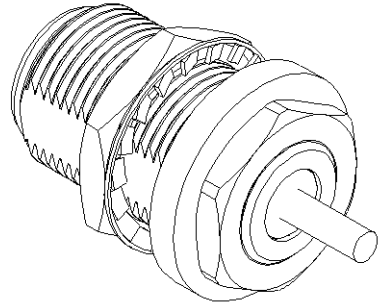
PAGE 1/2	ISSUE 1448C	SERIES N	PART NUMBER R161606045
----------	-------------	----------	-------------------------------



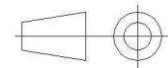
PANEL CUT OUT



	mm	
	Maxi	mini
A	16.1	16
B	13.7	13.6



All dimensions are in mm.



COMPONENTS	MATERIALS	PLATING (µm)
Body	BRASS.	NICKEL
Center contact	BERYLLIUM COPPER	GOLD OVER NICKEL
Outer contact	BRASS.	NICKEL
Insulator	PTFE	
Gasket	SILICONE RUBBER	
Others parts	BRASS.	NICKEL
-	-	-
-	-	-

PAGE 2/2	ISSUE 1448C	SERIES N	PART NUMBER R161606045
-----------------	--------------------	-----------------	-------------------------------

PACKAGING

Standard	Unit	Other
50	Contact us	Contact us

ELECTRICAL CHARACTERISTICS

Impedance	50	Ω
Frequency	0-11	GHz
VSWR	NA + 0.0000	x F(GHz) Maxi
Insertion loss	NA	\sqrt{F} (GHz) dB Maxi
RF leakage	-(NA)	- F(GHz)) dB Maxi
Voltage rating	1400	Veff Maxi
Dielectric withstanding voltage	2500	Veff mini
Insulation resistance	5000	M Ω mini

ENVIRONMENTAL

Operating temperature	-55/+155	$^{\circ}\text{C}$
Hermetic seal	NA	Atm.cm3/s
Panel leakage	IP67	

SPECIFICATION

MECHANICAL CHARACTERISTICS

Center contact retention		
Axial force – Mating End	27	N mini
Axial force – Opposite end	27	N mini
Torque	NA	N.cm mini

Recommended torque		
Mating	NA	N.cm
Panel nut	500	N.cm
Clamp nut	NA	N.cm
A/F clamp nut	19.0000	mm

Mating life	500	Cycles mini
Weight	40.0000	g

CABLE ASSEMBLY

Stripping	a	b	c	d	e	f
mm	0	0	0	0	0	0

Assembly instruction: **NA**

Recommended cable(s)

Characteristics indicated on this data sheet are those that can be achieved with the highest performance cable. Intrinsic limitations of the cable may diminish the performance of the assembly

Cable retention

- pull off	NA	N mini
- torque	NA	N.cm

TOOLING

Part Number	Description	Hexagon
.	.	.

OTHER CHARACTERISTICS

Salt sprag IEC 68-2-11 TEST KA
With panel material: AS12