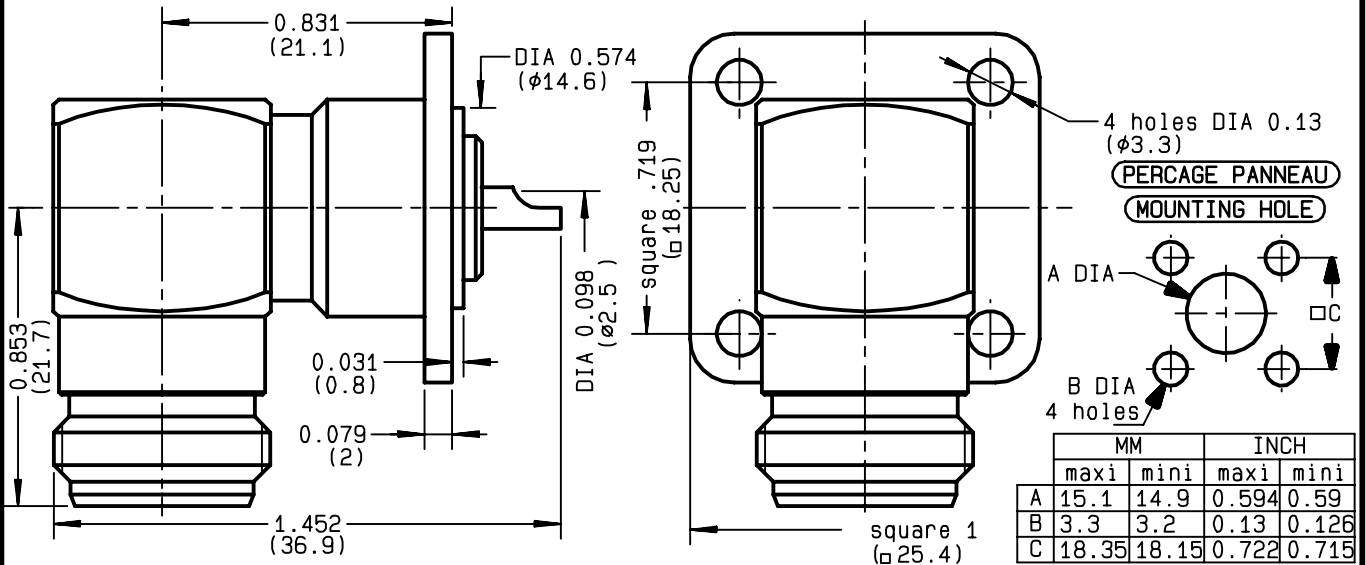


**RIGHT ANGLE JACK RECEPTACLE
SQUARE FLANGE WITH SOLDER POT CONTACT**

R161.653.000
SERIES N



| | | |
|---------------------------------|-----------------------------|--------------------------|
| NOMINAL IMPEDANCE | 50 | Ω |
| FREQUENCY RANGE | 0-11 | GHz |
| TEMPERATURE RATING | -55/+155 | $^{\circ}C$ |
| V.S.W.R | 1.04 + .004 x F(GHz) | Maxi |
| RF INSERTION LOSS | 0.015 | \sqrt{F} (GHz) dB Maxi |
| VOLTAGE RATING | 1400 | Veff Maxi |
| DIELECTRIC WITHSTANDING VOLTAGE | 2500 | Veff Mini |
| INSULATION RESISTANCE | 5000 | M Ω Mini |
| HERMETIC SEAL | NA | Atm.cm ³ /s |
| LEAKAGE (pressurized only) | NA | |
| MECHANICAL DURABILITY | 500 | Cycles |
| WEIGHT | 58.6 | gr |
| SPECIFICATION | | |

CABLES :

OTHERS CHARACTERISTICS

| | | |
|----------------------------|-----------|-----------|
| CABLE RETENTION | NA | N Mini |
| CENTER CONTACT RETENTION | | |
| Axial force - mating end | 27 | N Mini |
| Axial force - opposite end | 27 | N Mini |
| Torque | NA | cm.N Mini |
| RECOMMENDED TORQUES | | |
| Mating | NA | cm.N |
| Panel nut | NA | cm.N |
| Clamp nut | NA | cm.N |

| CONNECTOR PARTS | MATERIALS | FINISH | (all values are given in micrometers) |
|-----------------|------------------|------------------------|---------------------------------------|
| BODY | BRASS | BBR 2 | |
| OUTER CONTACT | BRASS | BBR 2 | |
| CENTER CONTACT | BERYLLIUM COPPER | GOLD 0.5 OVER NICKEL 2 | |
| INSULATOR | PTFE | - | |
| GASKET | | - | |
| OTHERS PIECES | | | |

BONMINI

| | | |
|----------------|-------------------|------------------|
| ISSUE | CREATION DATE | FILE PART-NUMBER |
| 9810P00 | 06/04/1993 | |



The information given here is subject to change without notice. Design changes may be in order to improve the product.

Connect to the future