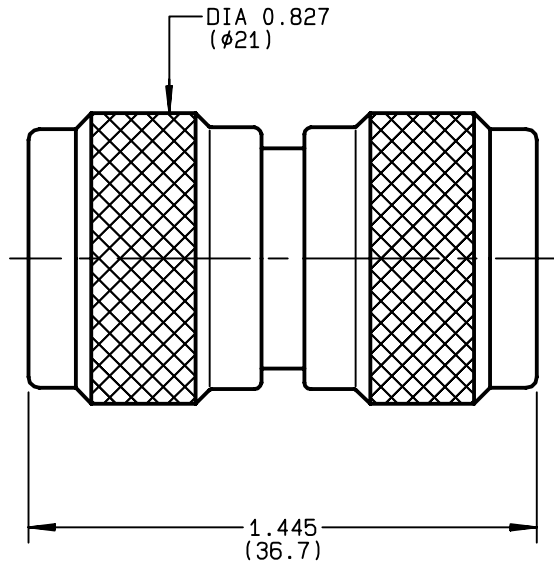


**MALE-MALE ADAPTOR**

**R161.703.000**  
**SERIES N**



NOMINAL IMPEDANCE	<b>50</b> Ω	CABLES :		
FREQUENCY RANGE	<b>0-11</b> GHz			
TEMPERATURE RATING	<b>-55/+155</b> °C			
V.S.W.R	<b>1.30</b> + x F(GHz)Maxi			
RF INSERTION LOSS	<b>0.048</b> √F(GHz) dB Maxi			
VOLTAGE RATING	<b>1400</b> Veff Maxi			
DIELECTRIC WITHSTANDING VOLTAGE	<b>2500</b> Veff Mini			
INSULATION RESISTANCE	<b>5000</b> MΩMini		OTHERS CHARACTERISTICS	
HERMETIC SEAL	<b>NA</b> Atm.cm <sup>3</sup> /s		CABLE RETENTION	<b>NA</b> N Mini
LEAKAGE (pressurized only)	<b>NA</b>		CENTER CONTACT RETENTION	
MECHANICAL DURABILITY	<b>500</b> Cycles	Axial force - mating end	<b>27</b> N Mini	
WEIGHT	<b>49</b> gr	Axial force - opposite end	<b>27</b> N Mini	
SPECIFICATION	<b>282</b>	Torque	<b>NA</b> cm.N Mini	
		RECOMMENDED TORQUES		
		Mating	<b>130</b> cm.N	
		Panel nut	<b>NA</b> cm.N	
		Clamp nut	<b>NA</b> cm.N	

CONNECTOR PARTS	MATERIALS	FINISH	(all values are given ) in micrometers
BODY	BRASS	BBR 2	
OUTER CONTACT	BRASS	BBR 2	
CENTER CONTACT	BRASS	GOLD 0.5 OVER NICKEL 2	
INSULATOR	PTFE	-	
GASKET	SILICONE RUBBER	-	
OTHERS PIECES	BRASS	BBR 2	

ISSUE	CREATION DATE	FILE PART-NUMBER
<b>9813B03</b>	<b>21/04/1993</b>	<b>EPC 96-07</b>



**RADIALL**®

BONOMINI

The information given here is subject to change without notice.  
 Design changes may be in order to improve the product .

*Connect to the future*