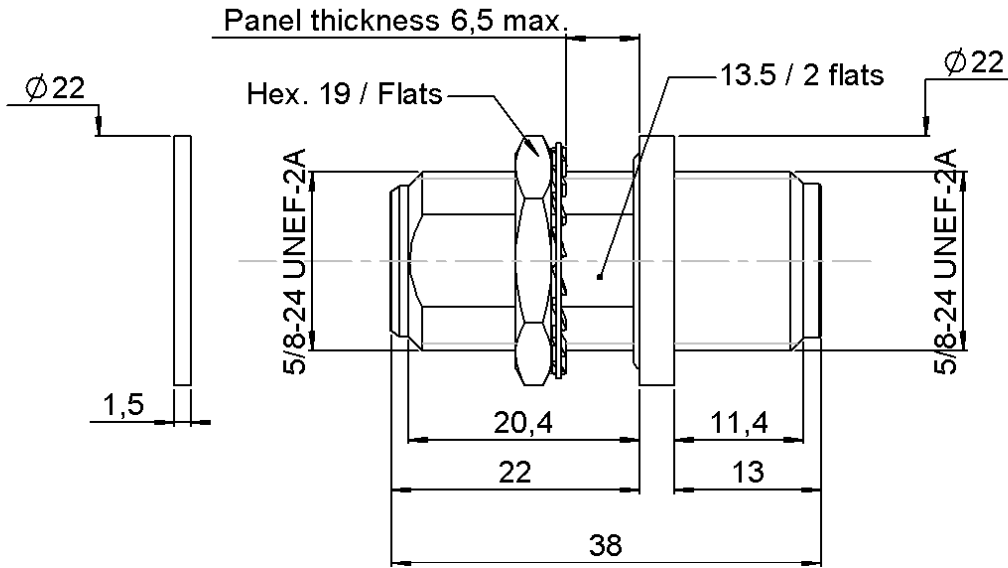


FEMALE-FEMALE HERMETIC ADAPTOR

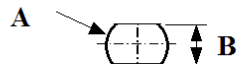
R161.753.000

BULKHEAD TYPE - PANEL SEAL

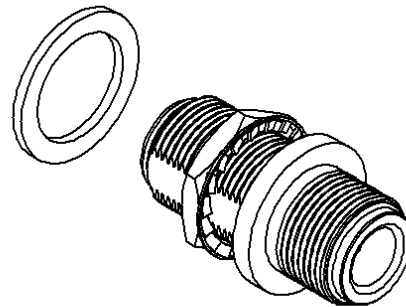
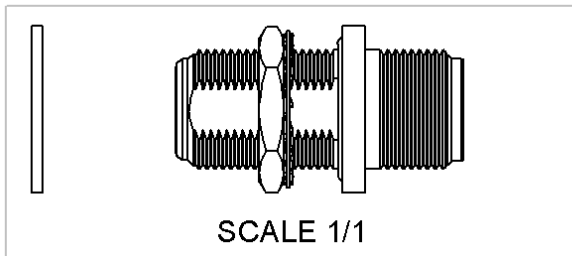
Series : N



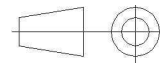
PANEL CUT OUT



mm		
	Maxi	mini
A	16.1	16
B	13.7	13.6



All dimensions are in mm.



COMPONENTS	MATERIALS	PLATING (µm)
BODY	BRASS	BBR 2
CENTER CONTACT	BERYLLIUM COPPER	GOLD 0.5 OVER NICKEL 2
OUTER CONTACT	BRASS	BBR 2
INSULATOR	PTFE+GLASS BEAD	
GASKET	BLACK FLUOROCARBON	
OTHERS PARTS	BRASS	BBR 2
-	-	-
-	-	-

Issue : 1426 F

In the effort to improve our products, we reserve the right to make changes judged to be necessary.



DRAFT

FEMALE-FEMALE HERMETIC ADAPTOR

R161.753.000

BULKHEAD TYPE - PANEL SEAL

Series : N

PACKAGING

Standard	Unit	Other
50	'W' option	Contact us

SPECIFICATION

**LEA COAN14HO
N 282 Rev3**

ELECTRICAL CHARACTERISTICS

Impedance	50	Ω
Frequency	0-11	GHz
VSWR	1.45 + 0,0000	x F(GHz) Maxi
Insertion loss	0.10	\sqrt{F} (GHz) dB Maxi
RF leakage	- (101	- F(GHz)) dB Maxi
Voltage rating	1400	Veff Maxi
Dielectric withstanding voltage	2500	Veff mini
Insulation resistance	5000	M Ω mini

ENVIRONMENTAL

Operating temperature	-55/+155	$^{\circ}$ C
Hermetic seal	10-6	Atm.cm3/s
Panel leakage	IP67	

OTHER CHARACTERISTICS

Assembly instruction

Others :
-

MECHANICAL CHARACTERISTICS

Center contact retention		
Axial force – Mating end	27	N mini
Axial force – Opposite end	27	N mini
Torque	NA	N.cm mini
Recommended torque		
Mating	NA	N.cm
Panel nut	500	N.cm
Mating life	500	Cycles mini
Weight	47,7000	g

Issue : 1426 F

In the effort to improve our products, we reserve the right to make changes judged to be necessary.

RADIALL 

DRAFT/PROVISIONARY