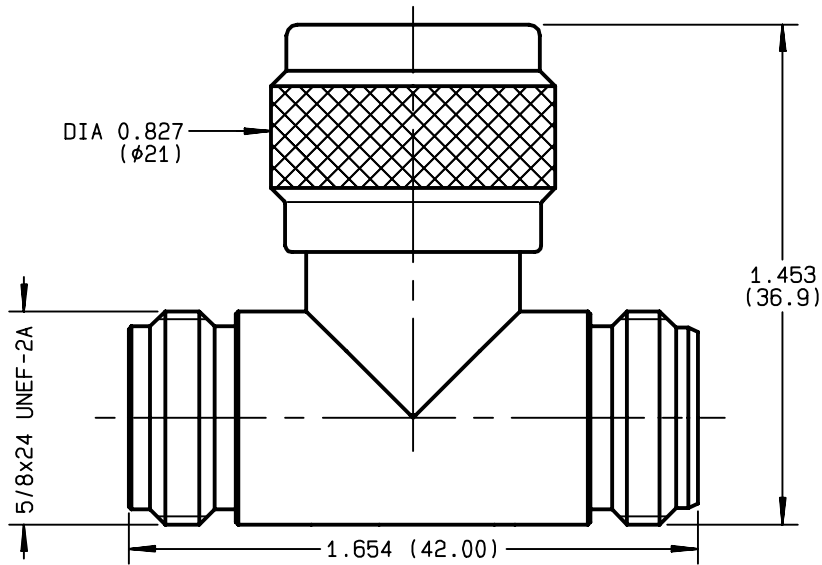


**FEMALE-FEMALE/MALE TEE ADAPTOR**

**R161.780.000**  
**SERIES N**



NOMINAL IMPEDANCE	<b>50</b> Ω	CABLES :	
FREQUENCY RANGE	<b>0-11</b> GHz		
TEMPERATURE RATING	<b>-55/+155</b> °C		
V.S.W.R	<b>NA</b> + x F(GHz)Maxi		
RF INSERTION LOSS	<b>NA</b> √F(GHz) dB Maxi		
VOLTAGE RATING	<b>1400</b> Veff Maxi		
DIELECTRIC WITHSTANDING VOLTAGE	<b>2500</b> Veff Mini		
INSULATION RESISTANCE	<b>5000</b> MΩMini	OTHERS CHARACTERISTICS	
HERMETIC SEAL	<b>NA</b> Atm.cm <sup>3</sup> /s	CABLE RETENTION	<b>NA</b> N Mini
LEAKAGE (pressurized only)	<b>NA</b>	CENTER CONTACT RETENTION	
MECHANICAL DURABILITY	<b>500</b> Cycles	Axial force - mating end	<b>27</b> N Mini
WEIGHT	<b>74.2</b> gr	Axial force - opposite end	<b>27</b> N Mini
SPECIFICATION	<b>LEA 03COAN03</b> <b>N 282</b>	Torque	<b>NA</b> cm.N Mini
		RECOMMENDED TORQUES	
		Mating	<b>130</b> cm.N
		Panel nut	<b>NA</b> cm.N
		Clamp nut	<b>NA</b> cm.N

CONNECTOR PARTS	MATERIALS	FINISH	(all values are given ) in micrometers
BODY	BRASS	BBR 2	
OUTER CONTACT	BRASS	BBR 2	
CENTER CONTACT	BERYLLIUM COPPER	GOLD 0.5 OVER NICKEL 2	
INSULATOR	PTFE	-	
GASKET	SILICONE RUBBER	-	
OTHERS PIECES	BRASS	BBR 2	

BONOMINI

ISSUE	CREATION DATE	FILE PART-NUMBER
<b>9813C01</b>	<b>30/04/1993</b>	<b>EPC 96-07</b>



The information given here is subject to change without notice.  
 Design changes may be in order to improve the product .

*Connect to the future*