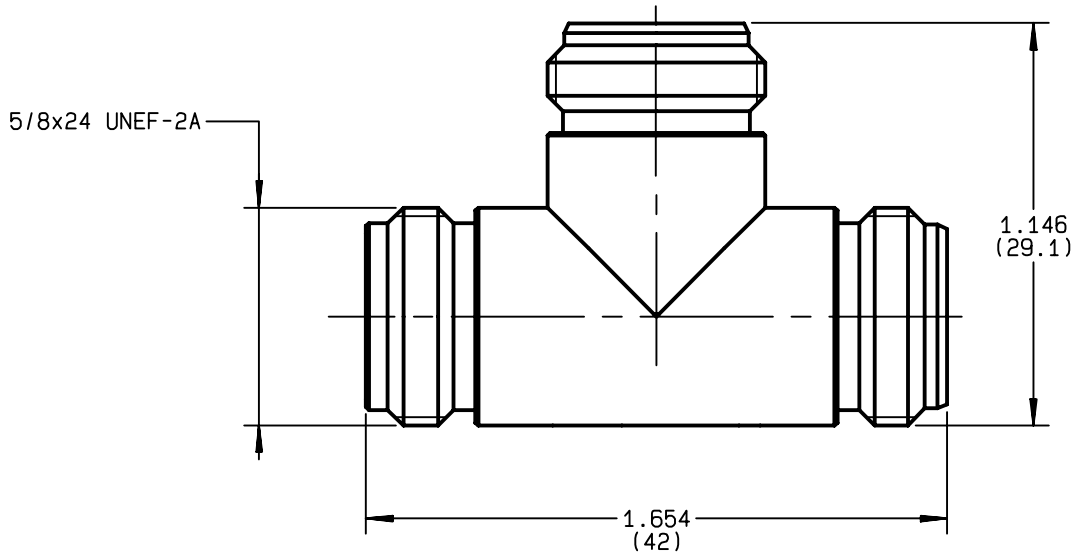


FEMALE-FEMALE/FEMALE TEE ADAPTOR

R161.782.000

SERIES

N



NOMINAL IMPEDANCE	50 Ω	CABLES :		
FREQUENCY RANGE	0-11 GHz			
TEMPERATURE RATING	-55/+155 °C			
V.S.W.R	NA + x F(GHz)Maxi			
RF INSERTION LOSS	NA √F(GHz) dB Maxi			
VOLTAGE RATING	1400 Veff Maxi			
DIELECTRIC WITHSTANDING VOLTAGE	2500 Veff Mini			
INSULATION RESISTANCE	5000 MΩMini		OTHERS CHARACTERISTICS	
HERMETIC SEAL	NA Atm.cm ³ /s		CABLE RETENTION	NA N Mini
LEAKAGE (pressurized only)	NA		CENTER CONTACT RETENTION	
MECHANICAL DURABILITY	500 Cycles	Axial force - mating end	27 N Mini	
WEIGHT	75 gr	Axial force - opposite end	27 N Mini	
SPECIFICATION		Torque	NA cm.N Mini	
		RECOMMENDED TORQUES		
		Mating	NA cm.N	
		Panel nut	NA cm.N	
		Clamp nut	NA cm.N	

CONNECTOR PARTS	MATERIALS	FINISH	(all values are given) in micrometers
BODY	BRASS	BBR 2	
OUTER CONTACT	BRASS	BBR 2	
CENTER CONTACT	BERYLLIUM COPPER	GOLD 0.5 OVER NICKEL 2	
INSULATOR	PTFE	-	
GASKET		-	
OTHERS PIECES			

BONOMINI

ISSUE	CREATION DATE	FILE PART-NUMBER
9726U01	30/04/1993	



RADIALL®

The information given here is subject to change without notice.
Design changes may be in order to improve the product .

Connect to the future