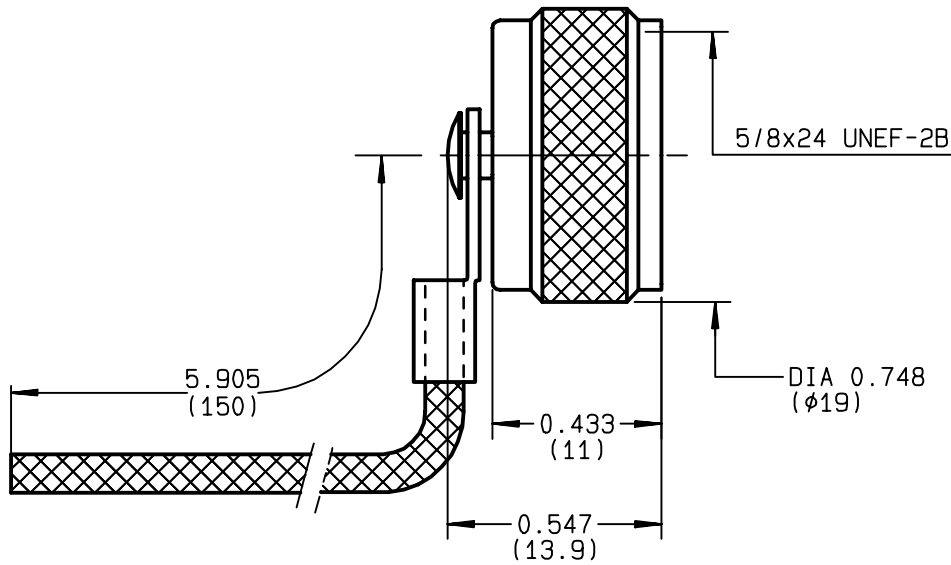


**MALE PROTECTIVE CAP  
WITH CORD**

**R161.805.410**  
**SERIES N**



NOMINAL IMPEDANCE	NA	$\Omega$	CABLES :	
FREQUENCY RANGE	NA	GHz		
TEMPERATURE RATING	-55/+155	$^{\circ}\text{C}$		
V.S.W.R	NA +	x F(GHz)Maxi		
RF INSERTION LOSS	NA	$\sqrt{F}$ (GHz) dB Maxi		
VOLTAGE RATING	NA	Veff Maxi		
DIELECTRIC WITHSTANDING VOLTAGE	NA	Veff Mini		
INSULATION RESISTANCE	NA	M $\Omega$ Mini	OTHERS CHARACTERISTICS	
HERMETIC SEAL	NA	Atm.cm <sup>3</sup> /s	CABLE RETENTION	NA N Mini
LEAKAGE (pressurized only)	NA		CENTER CONTACT RETENTION	
MECHANICAL DURABILITY	500	Cycles	Axial force - mating end	NA N Mini
WEIGHT	11	gr	Axial force - opposite end	NA N Mini
SPECIFICATION			Torque	NA cm.N Mini
			RECOMMENDED TORQUES	
			Mating	130 cm.N
			Panel nut	NA cm.N
			Clamp nut	NA cm.N

CONNECTOR PARTS	MATERIALS	FINISH	(all values are given ) in micrometers
BODY	BRASS	BLACK-CHROMIUM	
OUTER CONTACT			
CENTER CONTACT			
INSULATOR		-	
GASKET	CHLOROPRENE	-	
OTHERS PIECES	BRASS	BLACK-CHROMIUM	

ISSUE 9726F01  
CREATION DATE 13/12/1993  
FILE PART-NUMBER



**RADIALL**<sup>®</sup>

BONOMINI

The information given here is subject to change without notice.  
Design changes may be in order to improve the product .

Connect to the future