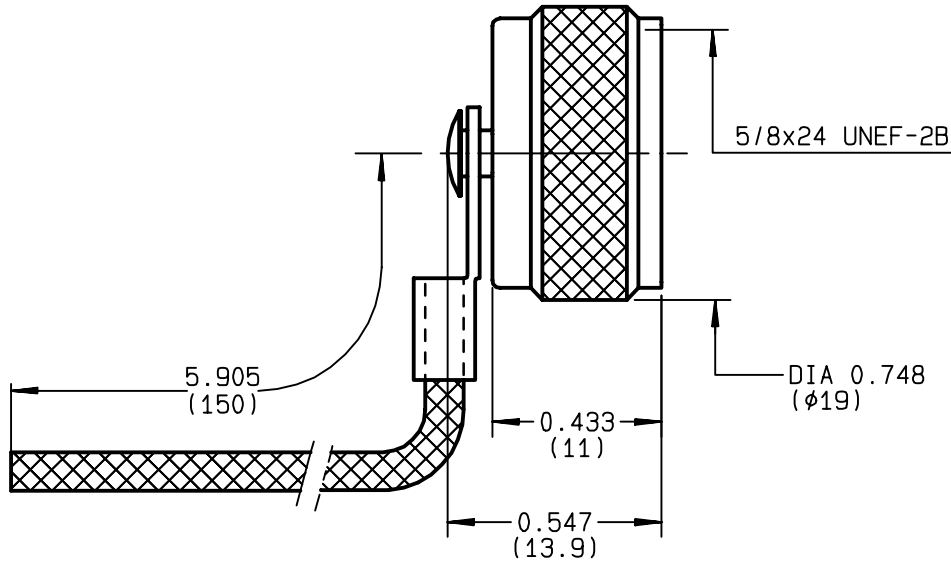


**MALE PROTECTIVE CAP
WITH CORD**

R161.805.410
SERIES N



NOMINAL IMPEDANCE	NA Ω	CABLES :		
FREQUENCY RANGE	NA GHz			
TEMPERATURE RATING	-55/+155 °C			
V.S.W.R	NA + x F(GHz)Maxi			
RF INSERTION LOSS	NA \sqrt{F} (GHz) dB Maxi			
VOLTAGE RATING	NA Veff Maxi			
DIELECTRIC WITHSTANDING VOLTAGE	NA Veff Mini			
INSULATION RESISTANCE	NA M Ω Mini		OTHERS CHARACTERISTICS	
HERMETIC SEAL	NA Atm.cm ³ /s		CABLE RETENTION	NA N Mini
LEAKAGE (pressurized only)	NA		CENTER CONTACT RETENTION	
MECHANICAL DURABILITY	500 Cycles	Axial force - mating end	NA N Mini	
WEIGHT	11 gr	Axial force - opposite end	NA N Mini	
SPECIFICATION		Torque	NA cm.N Mini	
		RECOMMENDED TORQUES		
		Mating	130 cm.N	
		Panel nut	NA cm.N	
		Clamp nut	NA cm.N	

CONNECTOR PARTS	MATERIALS	FINISH	(all values are given) in micrometers
BODY	BRASS	BLACK-CHROMIUM	
OUTER CONTACT			
CENTER CONTACT			
INSULATOR		-	
GASKET	CHLOROPRENE	-	
OTHERS PIECES	BRASS	BLACK-CHROMIUM	

ISSUE **9726F01** CREATION DATE **13/12/1993** FILE PART-NUMBER



RADIALL®

BONOMINI

The information given here is subject to change without notice.
Design changes may be in order to improve the product .

Connect to the future