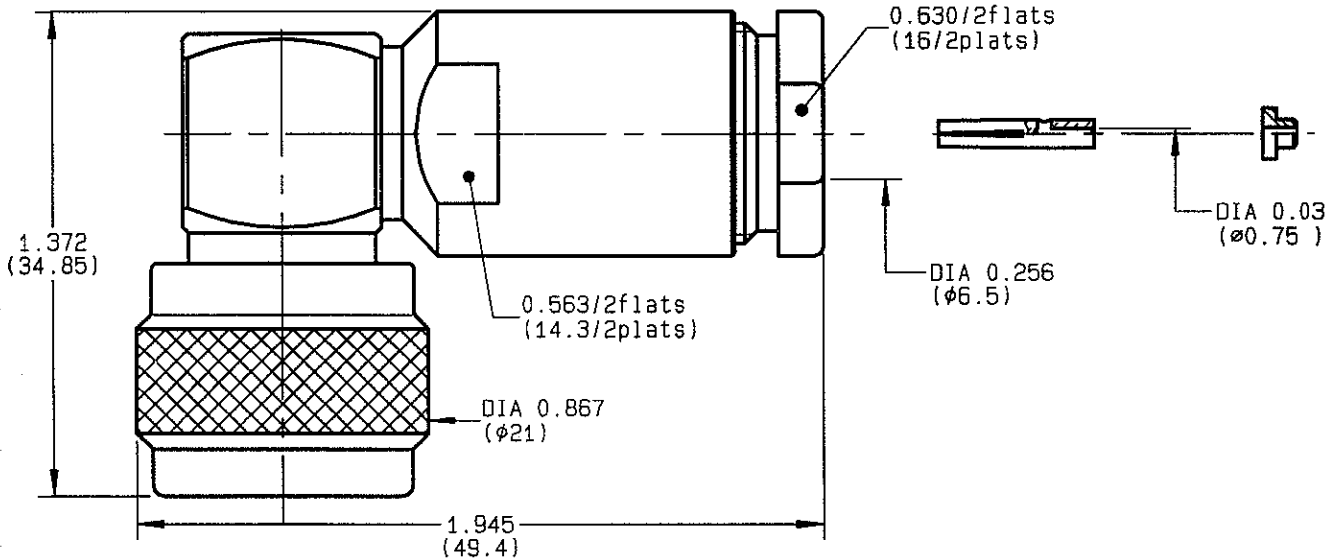


**RIGHT ANGLE PLUG CLAMP TYPE
CABLE 6/75+93**

R162.162.000
SERIES N 75



NOMINAL IMPEDANCE	75 Ω
FREQUENCY RANGE	0-1.5 GHz
TEMPERATURE RATING	-55/+155 °C
V.S.W.R	1.2 + 0 x F(GHz)Maxi
RF INSERTION LOSS	0.15 \sqrt{F} (GHz) dB Maxi
VOLTAGE RATING	850 Veff Maxi
DIELECTRIC WITHSTANDING VOLTAGE	1500 Veff Mini
INSULATION RESISTANCE	5000 M Ω Mini
HERMETIC SEAL	NA Atm.cm ³ /s
LEAKAGE (pressurized only)	NA
MECHANICAL DURABILITY	500 Cycles
WEIGHT	77.9 gr
SPECIFICATION	

CABLES :	KX 6A
	RG 59
	RG 62
OTHERS CHARACTERISTICS	
CABLE RETENTION	150 N Mini
CENTER CONTACT RETENTION	
Axial force - mating end	27 N Mini
Axial force - opposite end	27 N Mini
Torque	NA cm.N Mini
RECOMMENDED TORQUES	
Mating	130 cm.N
Panel nut	NA cm.N
Clamp nut	500 cm.N

CONNECTOR PARTS	MATERIALS	FINISH	(all values are given in micrometers)
BODY	BRASS	BBR 2	
OUTER CONTACT	BRASS	BBR 2	
CENTER CONTACT	BRASS	GOLD 0.5 OVER NICKEL 2	
INSULATOR	PTFE	-	
GASKET	SILICONE RUBBER	-	
OTHERS PIECES	BRASS	BBR 2	

ISSUE	CREATION DATE	FILE PART-NUMBER
9813C01	11-APR-94	EPC 96-07



Connect to the future

The information given here is subject to change without notice. Design changes may be in order to improve the product.

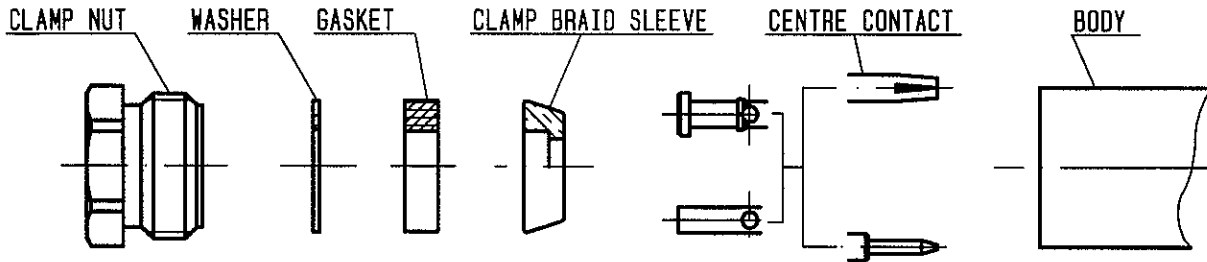
GAUTIE



RADIALL®

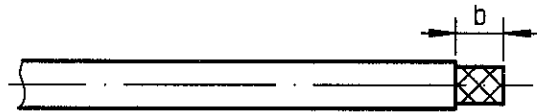
R162.162.000

ISSUE 9813C01 SERIES N 75



①

Strip the cable .



Stripping	a	b	c	d	e
inch	0.157	0.335	0	0	0.039
mm	4	8.5			1

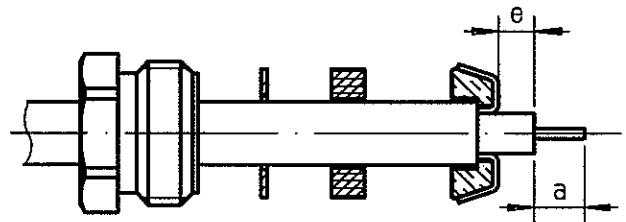
②

Slide the clamp nut , the washer and the gasket onto the cable .

Slide clamp braid sleeve over braid .

Fold back braid and trim off surplus braid .

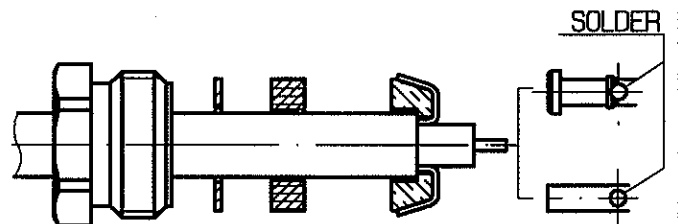
Trim back dielectric as shown .



NOTA:For air-space PE cables , "e" = 0
Introduce insulator onto dielectric cable .

③

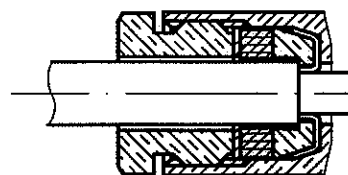
Solder the cable inner conductor into centre contact .



④

Screw sub-assembly into the connector body .

(recommended coupling torque 44.25 in.lb)



Hex. : 0.63/flats