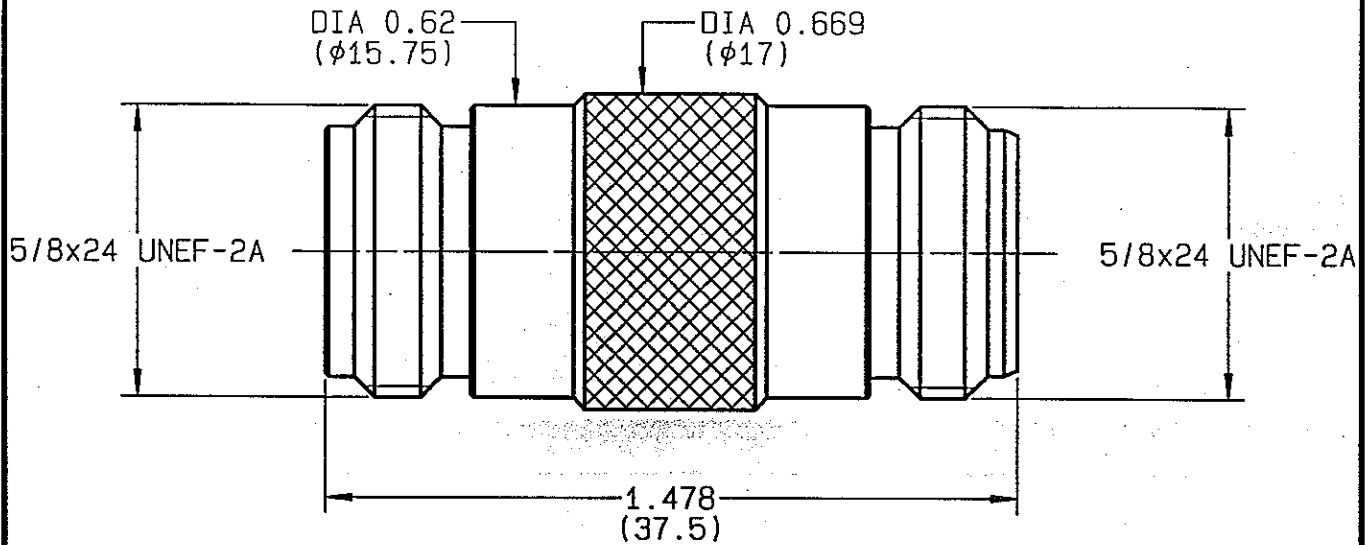


JACK-JACK ADAPTER

R162.705.000

SERIES

N 75



| | | | |
|---------------------------------|----------------------------------|----------------------------|---------------------|
| NOMINAL IMPEDANCE | 75 Ω | CABLES : | |
| FREQUENCY RANGE | 0-1.5 GHz | | |
| TEMPERATURE RATING | -55/+155 °C | | |
| V.S.W.R | 1.06 + x F(GHz)Maxi | | |
| RF INSERTION LOSS | 0.15 √F(GHz) dB Maxi | | |
| VOLTAGE RATING | 1400 Veff Maxi | | |
| DIELECTRIC WITHSTANDING VOLTAGE | 2500 Veff Mini | | |
| INSULATION RESISTANCE | 5000 MΩMini | OTHERS CHARACTERISTICS | |
| HERMETIC SEAL | NA Atm.cm ³ /s | CABLE RETENTION | NA N Mini |
| LEAKAGE (pressurized only) | NA | CENTER CONTACT RETENTION | |
| MECHANICAL DURABILITY | 500 Cycles | Axial force - mating end | 27 N Mini |
| WEIGHT | 42.32 gr | Axial force - opposite end | 27 N Mini |
| SPECIFICATION | | Torque | NA cm.N Mini |
| | | RECOMMENDED TORQUES | |
| | | Mating | NA cm.N |
| | | Panel nut | NA cm.N |
| | | Clamp nut | NA cm.N |

| CONNECTOR PARTS | MATERIALS | FINISH | (all values are given) in micrometers |
|-----------------|------------------|------------------------|---|
| BODY | BRASS | BBR 2 | |
| OUTER CONTACT | BRASS | BBR 2 | |
| CENTER CONTACT | BERYLLIUM COPPER | GOLD 0.5 OVER NICKEL 2 | |
| INSULATOR | PTFE | - | |
| GASKET | | - | |
| OTHERS PIECES | | | |

BONMINI

| | | |
|----------------|------------------|------------------|
| ISSUE | CREATION DATE | FILE PART-NUMBER |
| 9733H00 | 26-OCT-93 | |



The information given here is subject to change without notice. Design changes may be in order to improve the product .

Connect to the future