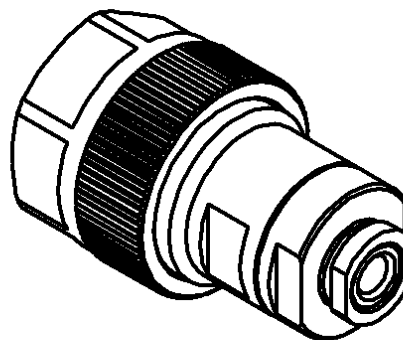
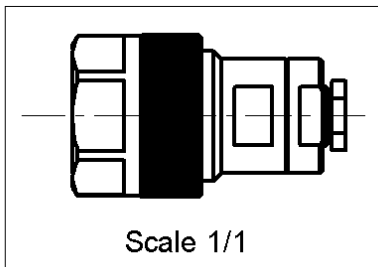
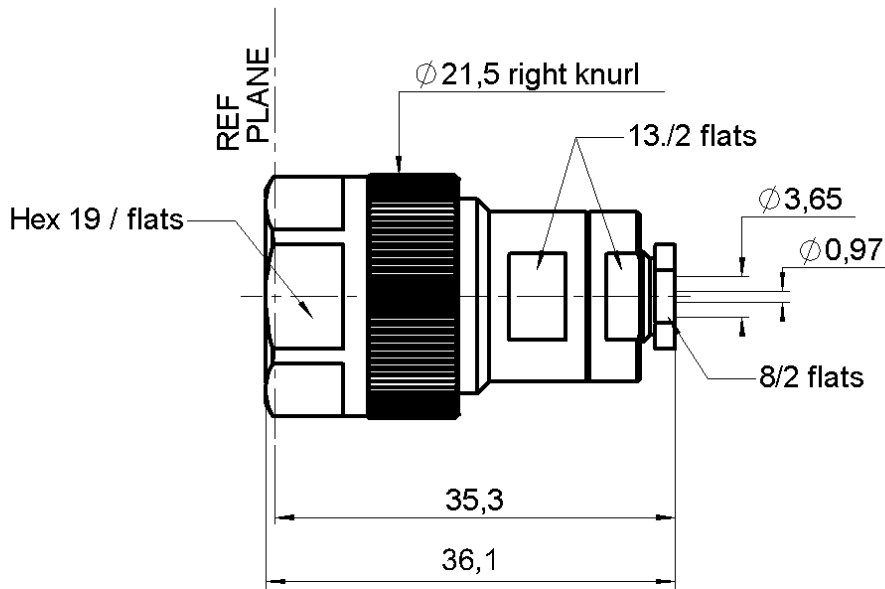


STRAIGHT PLUG SOLDER TYPE

R163.051.001

CABLE .141

Series : N-18



All dimensions are in mm.



COMPONENTS	MATERIALS	PLATINGS (µm)
BODY	STAINLESS STEEL	PASSIVATED .
CENTER CONTACT	BERYLLIUM COPPER	GOLD 1.3 OVER NICKEL 2
OUTER CONTACT	-	-
INSULATOR	PTFE,ULTEM	-
GASKET	FLUOROSILICONE	-
OTHERS PARTS	-	-
-	-	-
-	-	-

Issue : 0048 B

In the effort to improve our products, we reserve the right to make changes judged to be necessary.



STRAIGHT PLUG SOLDER TYPE

R163.051.001

CABLE .141

Series : N-18

PACKAGING

Standard	Unit	Other
1	'W' option	Contact us

SPECIFICATION

ELECTRICAL CHARACTERISTICS

Impedance		50	Ω
Frequency		0-18	GHz
VSWR	1.05 +	0.007	x F(GHz) Maxi
Insertion loss		0.1	\sqrt{F} (GHz) dB Maxi
RF leakage	- (92	- F(GHz)) dB Maxi
Voltage rating		500	Veff Maxi
Dielectric withstanding voltage		1500	Veff mini
Insulation resistance		5000	M Ω mini

CABLE ASSEMBLY

Stripping	a	b	c	d	e	f
mm	3.17	0.00	0.00	0.00	0.00	0.00

Assembly instruction :

Recommended cable(s)
RG 402
KS 2

Cable retention

- pull off **272** N mini
- torque **40** N.cm

MECHANICAL CHARACTERISTICS

Center contact retention			
Axial force – Mating end		27	N mini
Axial force – Opposite end		27	N mini
Torque		NA	N.cm mini

TOOLING

Part Number	Description	Hexagon
.	.	.

Recommended torque			
Mating		160	N.cm
Panel nut		NA	N.cm
Clamp nut		200	N.cm
A/F clamp nut		8.000	mm

Mating life		500	Cycles mini
Weight		46.800	g

OTHERS CHARACTERISTICS

-

ENVIRONMENTAL

Operating temperature		-40/+125	$^{\circ}$ C
Hermetic seal		NA	Atm.cm ³ /s
Panel leakage		.0044	

Issue : 0048 B

In the effort to improve our products, we reserve the right to make changes judged to be necessary.

