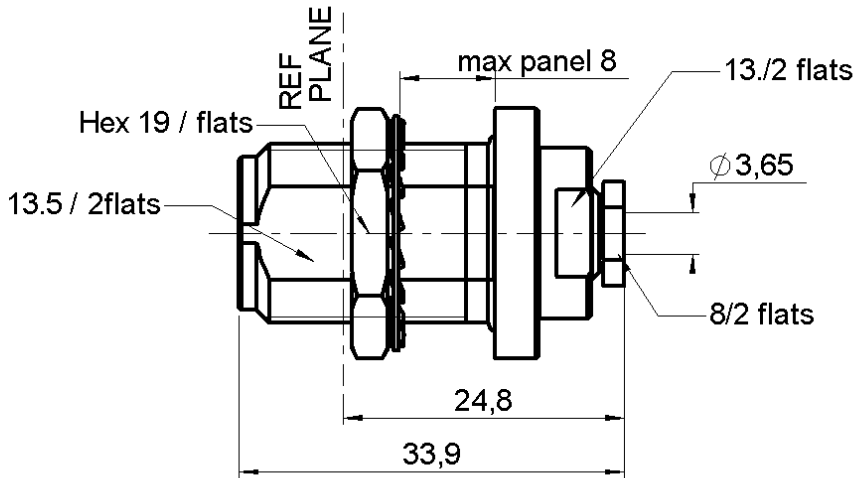


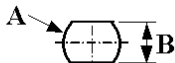
**STRAIGHT BULKHEAD JACK PANEL SEAL**  
**REAR MOUNT SOLDER TYPE - CABLE .141**

**R163.337.001**

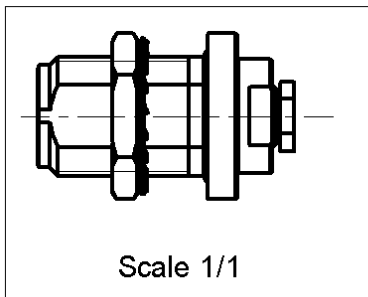
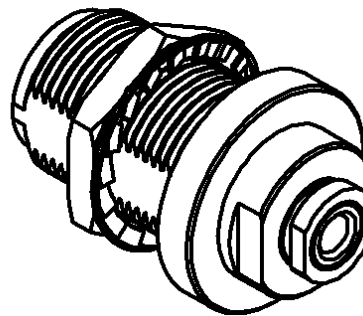
Series : N-18



**PANEL CUT OUT**



| mm |      |      |
|----|------|------|
|    | Maxi | mini |
| A  | 16   | 15.9 |
| B  | 13.7 | 13.6 |



All dimensions are in mm.



| COMPONENTS     | MATERIALS        | PLATINGS (µm)          |
|----------------|------------------|------------------------|
| BODY           | STAINLESS STEEL  | PASSIVATED .           |
| CENTER CONTACT | BERYLLIUM COPPER | GOLD 1.3 OVER NICKEL 2 |
| OUTER CONTACT  | -                | -                      |
| INSULATOR      | PTFE,ULTEM       | -                      |
| GASKET         | -                | -                      |
| OTHERS PARTS   | -                | -                      |
| -              | -                | -                      |
| -              | -                | -                      |

Issue : 0048 B

In the effort to improve our products, we reserve the right to make changes judged to be necessary.



**STRAIGHT BULKHEAD JACK PANEL SEAL**

**R163.337.001**

**REAR MOUNT SOLDER TYPE - CABLE .141**

Series : N-18

**PACKAGING**

| Standard | Unit              | Other             |
|----------|-------------------|-------------------|
| <b>1</b> | <b>'W' option</b> | <b>Contact us</b> |

**SPECIFICATION**

**ELECTRICAL CHARACTERISTICS**

|                                 |               |              |                          |
|---------------------------------|---------------|--------------|--------------------------|
| Impedance                       |               | <b>50</b>    | $\Omega$                 |
| Frequency                       |               | <b>0-18</b>  | GHz                      |
| VSWR                            | <b>1.05</b> + | <b>0.007</b> | x F(GHz) Maxi            |
| Insertion loss                  |               | <b>0.1</b>   | $\sqrt{F}$ (GHz) dB Maxi |
| RF leakage                      | - (           | <b>92</b>    | - F(GHz)) dB Maxi        |
| Voltage rating                  |               | <b>500</b>   | Veff Maxi                |
| Dielectric withstanding voltage |               | <b>1500</b>  | Veff mini                |
| Insulation resistance           |               | <b>5000</b>  | M $\Omega$ mini          |

**CABLE ASSEMBLY**

| Stripping | a    | b    | c    | d    | e    | f    |
|-----------|------|------|------|------|------|------|
| mm        | 3.17 | 0.00 | 0.00 | 0.00 | 0.00 | 0.00 |

Assembly instruction :

Recommended cable(s)  
RG 402  
KS 2

Cable retention

|            |            |        |
|------------|------------|--------|
| - pull off | <b>272</b> | N mini |
| - torque   | <b>40</b>  | N.cm   |

**MECHANICAL CHARACTERISTICS**

|                            |           |           |
|----------------------------|-----------|-----------|
| Center contact retention   |           |           |
| Axial force – Mating end   | <b>27</b> | N mini    |
| Axial force – Opposite end | <b>27</b> | N mini    |
| Torque                     | <b>NA</b> | N.cm mini |

**TOOLING**

| Part Number | Description | Hexagon |
|-------------|-------------|---------|
| .           | .           | .       |

|                    |              |      |
|--------------------|--------------|------|
| Recommended torque |              |      |
| Mating             | <b>NA</b>    | N.cm |
| Panel nut          | <b>500</b>   | N.cm |
| Clamp nut          | <b>200</b>   | N.cm |
| A/F clamp nut      | <b>8.000</b> | mm   |

|             |               |             |
|-------------|---------------|-------------|
| Mating life | <b>500</b>    | Cycles mini |
| Weight      | <b>42.900</b> | g           |

**OTHERS CHARACTERISTICS**

-

**ENVIRONMENTAL**

|                       |                 |              |
|-----------------------|-----------------|--------------|
| Operating temperature | <b>-40/+125</b> | $^{\circ}$ C |
| Hermetic seal         | <b>NA</b>       | Atm.cm3/s    |
| Panel leakage         | <b>.0044</b>    |              |

Issue : 0048 B

In the effort to improve our products, we reserve the right to make changes judged to be necessary.

