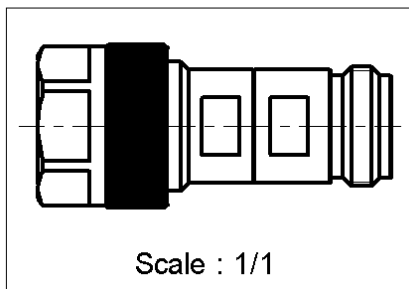
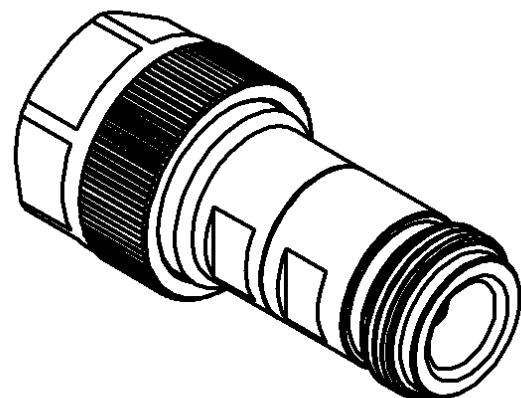
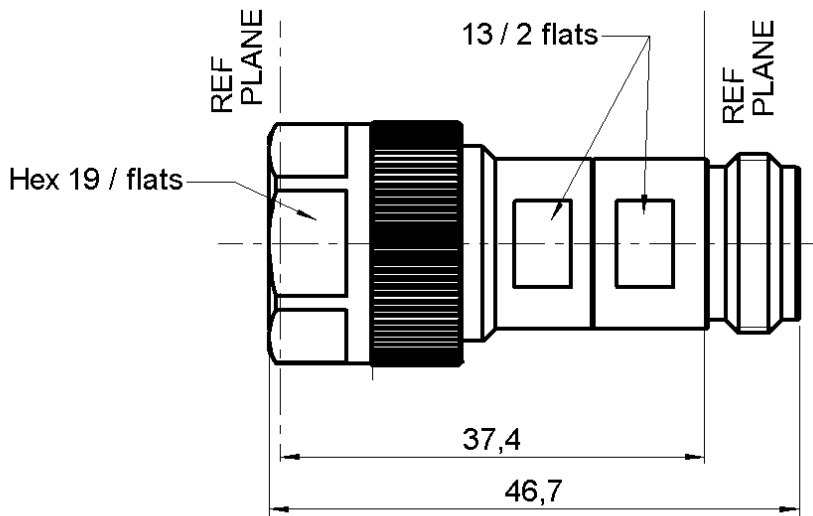
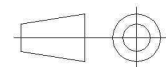


PAGE 1/2	ISSUE 1416C	SERIES N-18	PART NUMBER R163708001
----------	-------------	-------------	------------------------



All dimensions are in mm.



COMPONENTS	MATERIALS	PLATING (µm)
Body	STAINLESS STEEL	PASSIVATED.
Center contact	BERYLLIUM COPPER	GOLD 1.3 OVER NICKEL2
Outer contact	-	-
Insulator	PTFE,ULTEM	-
Gasket	FLUOROSILICON	-
Others parts	-	-
-	-	-
-	-	-

PAGE 2/2	ISSUE 1416C	SERIES N-18	PART NUMBER R163708001
----------	-------------	-------------	------------------------

PACKAGING

Standard	Unit	Other
1	Contact us	Contact us

ELECTRICAL CHARACTERISTICS

Impedance		50	Ω
Frequency		0-18	GHz
VSWR	1.05	+	0,0050 x F(GHz) Maxi
Insertion loss		0.1	√F(GHz) dB Maxi
RF leakage	- (92	- F(GHz) dB Maxi
Voltage rating		500	Veff Maxi
Dielectric withstanding voltage		1500	Veff mini
Insulation resistance		5000	MΩ mini

MECHANICAL CHARACTERISTICS

Center contact retention			
Axial force – Mating End		27	N mini
Axial force – Opposite end		27	N mini
Torque		NA	N.cm mini
Recommended torque			
Mating		160	N.cm
Panel nut		NA	N.cm
Mating life		500	Cycles mini
Weight		56,8400	g

ENVIRONMENTAL

Operating temperature	-65/+165	°C
Hermetic seal	NA	Atm.cm3/s
Panel leakage	.0044	

SPECIFICATION

OTHER CHARACTERISTICS

Assembly instruction:**NA**

Others:
-