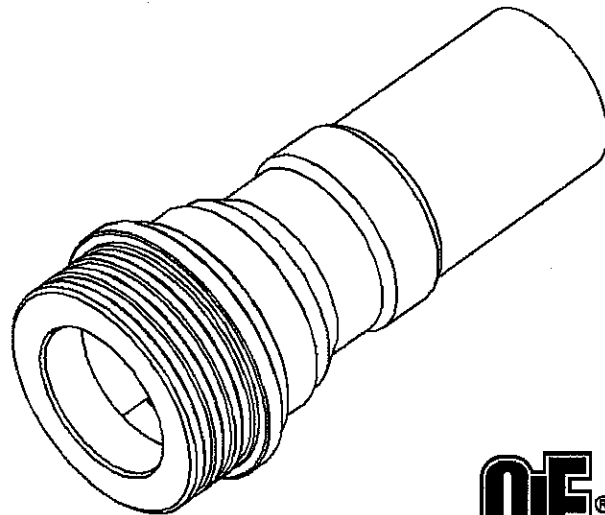
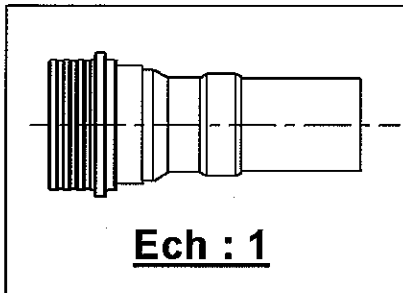
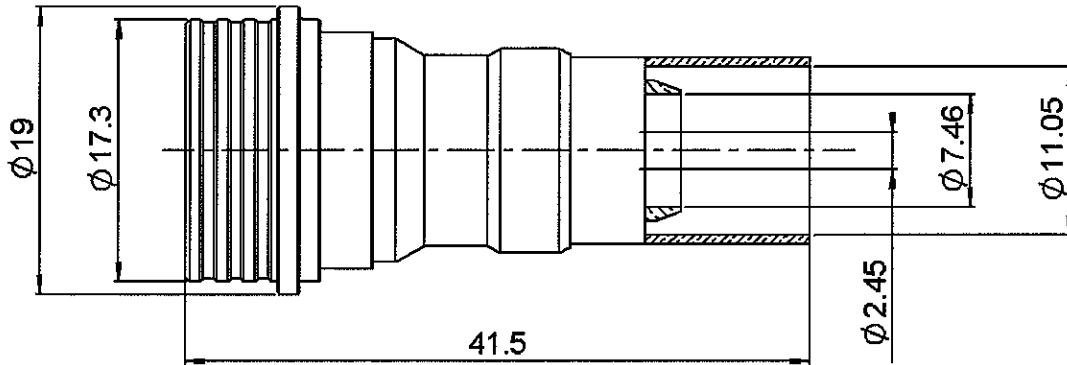


STRAIGHT PLUG FULL CRIMP TYPE

CABLE 10/50 S

R164.080.000

Series : QN



All dimensions are in mm.



COMPONENTS	MATERIALS	PLATINGS (µm)
BODY	BRASS	BBR 0.5 OVER SILVER 3
CENTER CONTACT	BRASS	SILVER 5 PASSIVATED OVER COPPER 0.5
OUTER CONTACT	BERYLLIUM COPPER	GOLD 0.3 OVER CHEMICAL NICKEL
INSULATOR	PTFE	
GASKET	EPDM	
OTHERS PARTS	BRASS	BBR 2
-	-	-
-	-	-

Issue : 0520 D

In the effort to improve our products, we reserve the right to make changes judged to be necessary.



STRAIGHT PLUG FULL CRIMP TYPE

R164.080.000

CABLE 10/50 S

Series : QN

PACKAGING

Standard	Unit	Other
50	'W' option	Contact us

SPECIFICATION

ELECTRICAL CHARACTERISTICS

Impedance		50 Ω
Frequency		*0-6 GHz
VSWR	1.05 +	0.025 x F(GHz) Maxi
Insertion loss		0.048 √F(GHz) dB Maxi
RF leakage	- (** - F(GHz) dB Maxi
Voltage rating		1000 Veff Maxi
Dielectric withstanding voltage		2500 Veff mini
Insulation resistance		5000 MΩ mini

CABLE ASSEMBLY

Stripping	a	b	c	d	e	f
mm	5.00	8.00	14.0	0.00	9.00	0.00

Assembly instruction : **Crimp 02**

Recommended cable(s)
KX 4
RG 165
RG 213

Characteristics indicated on this data sheet are those that can be achieved with the highest performance cable. Intrinsic limitations of the cable may diminish the performance of the assembly

Cable retention

- pull off **300** N mini
- torque **NA** N.cm

MECHANICAL CHARACTERISTICS

Center contact retention		
Axial force – Mating end		27 N mini
Axial force – Opposite end		27 N mini
Torque		NA N.cm mini

TOOLING

Part Number	Description	Hexagon
.	.	.
R282.231.000	CRIMPING TOOL	2.54-10.54
R282.235.116	CRIMPING DIES	2.54-10.54

Recommended torque		
Mating		NA N.cm
Panel nut		NA N.cm
Clamp nut		NA N.cm
A/F clamp nut		0.000 mm

Mating life		100 Cycles mini
Weight		23.500 g

OTHERS CHARACTERISTICS

* Usable 0-11GHz
**Connector only: -90dB min DC<F<3GHz
-80dB min 3<F<6GHz

ENVIRONMENTAL

Operating temperature		-55/+125 °C
Hermetic seal		NA Atm.cm3/s
Panel leakage		NA

Issue : 0520 D

In the effort to improve our products, we reserve the right to make changes judged to be necessary.



RADIALL®