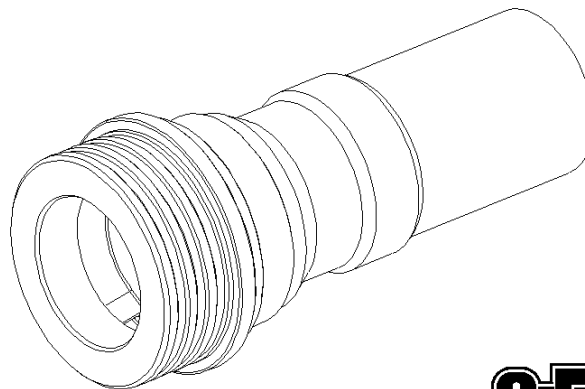
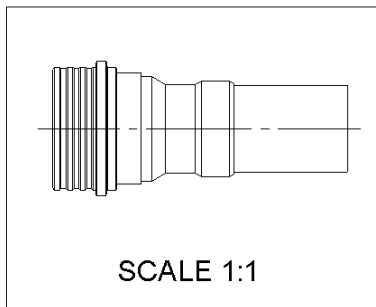
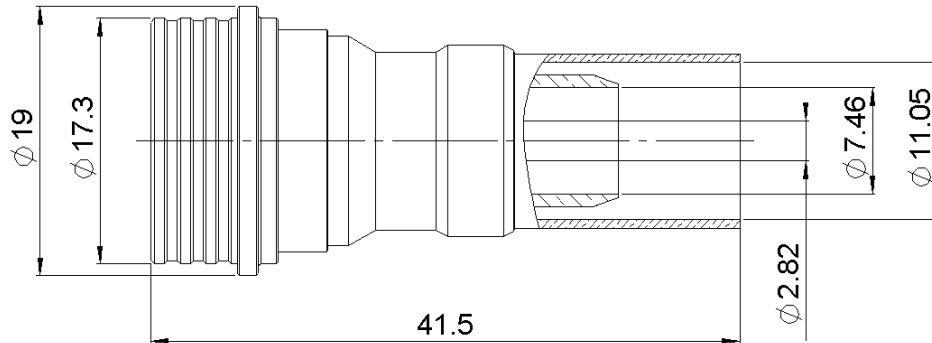


**STRAIGHT PLUG CRIMP TYPE**

**R164.080.020**

**CABLE LMR400**

Series : QN



All dimensions are in mm.

COMPONENTS	MATERIALS	PLATING (µm)
BODY	BRASS	BBR OVER SILVER
CENTER CONTACT	BRASS	SILVER PASSIVATED OVER COPPER
OUTER CONTACT	BERYLLIUM COPPER	NPGR
INSULATOR	PTFE	
GASKET	EPDM	
OTHERS PARTS	BRASS	BBR
-	-	-
-	-	-

**Issue : 1308 A**

In the effort to improve our products, we reserve the right to make changes judged to be necessary.  
 This document contains proprietary information and such information shall not be disclosed to any third party for any purpose whatsoever or used for manufacturing purposes without prior written agreement from RADIALL



**STRAIGHT PLUG CRIMP TYPE**

**R164.080.020**

**CABLE LMR400**

Series : QN

**PACKAGING**

Standard	Unit	Other
<b>50</b>	<b>'W' option</b>	<b>Contact us</b>

**SPECIFICATION**

**ELECTRICAL CHARACTERISTICS**

Impedance	<b>50</b>	$\Omega$
Frequency	<b>*0-6</b>	GHz
VSWR	<b>1.05 + 0.0250</b>	x F(GHz) Maxi
Insertion loss	<b>0.048</b>	$\sqrt{F}$ (GHz) dB Maxi
RF leakage	- ( <b>**</b> )	- F(GHz)) dB Maxi
Voltage rating	<b>1000</b>	Veff Maxi
Dielectric withstanding voltage	<b>2500</b>	Veff mini
Insulation resistance	<b>5000</b>	M $\Omega$ mini

**CABLE ASSEMBLY**

Stripping	a	b	c	d	e	f
mm	5.00	8.00	14.0	0.00	9.00	0.00

Assembly instruction : **Crimp 02**

Recommended cable(s)  
LMR 400  
LMR 400 FR

Characteristics indicated on this data sheet are those that can be achieved with the highest performance cable. Intrinsic limitations of the cable may diminish the performance of the assembly

Cable retention

- pull off **300** N mini  
- torque **NA** N.cm

**MECHANICAL CHARACTERISTICS**

Center contact retention		
Axial force – Mating end	<b>27</b>	N mini
Axial force – Opposite end	<b>27</b>	N mini
Torque	<b>NA</b>	N.cm mini

**TOOLING**

Part Number	Description	Hexagon
R282.231.000	CRIMPING TOOL	
R282.235.116	CRIMPING DIES	
R282.293.000	CRIMPING TOOL M22520/5-01	

Recommended torque		
Mating	<b>NA</b>	N.cm
Panel nut	<b>NA</b>	N.cm
Clamp nut	<b>NA</b>	N.cm
A/F clamp nut	<b>0.0000</b>	mm

**OTHER CHARACTERISTICS**

\* Usable 0-11GHz  
\*\*Connector only: -90dB min DC<F<3GHz  
-80dB min 3<F<6GHz  
\*\*\*PIM3 : -112dBm(2×20W at 1.8GHZ)

**ENVIRONMENTAL**

Operating temperature	<b>-55/+125</b>	$^{\circ}$ C
Hermetic seal	<b>NA</b>	Atm.cm3/s
Panel leakage	<b>NA</b>	

**Issue : 1308 A**

In the effort to improve our products, we reserve the right to make changes judged to be necessary.  
*This document contains proprietary information and such information shall not be disclosed to any third party for any purpose whatsoever or used for manufacturing purposes without prior written agreement from RADIALL*

