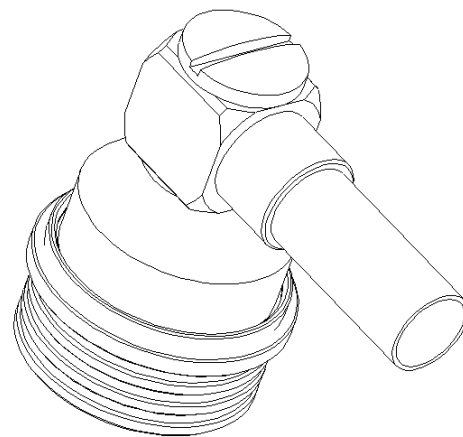
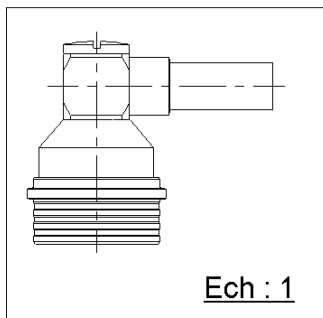
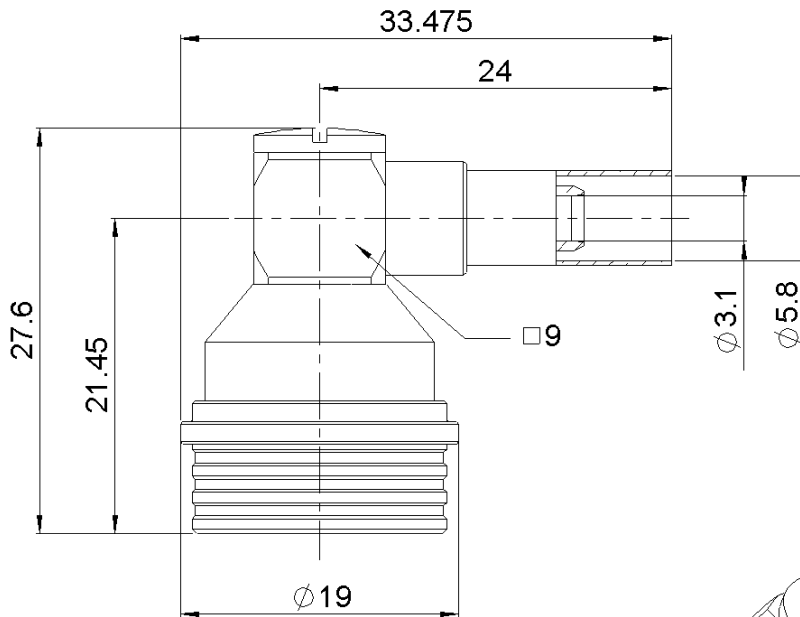


RIGHT ANGLE PLUG CRIMP TYPE

R164.176.000

CABLE 5/50 D

Series : QN



All dimensions are in mm.

COMPONENTS	MATERIALS	PLATING (µm)
BODY	BRASS	BBR OVER SILVER
CENTER CONTACT	BRASS	SILVER PASSIVATED OVER COPPER
OUTER CONTACT	BERYLLIUM COPPER	NPGR
INSULATOR	PTFE	
GASKET	EPDM	
OTHERS PARTS	BRASS	BBR
-	-	-
-	-	-

Issue : 1308 D

In the effort to improve our products, we reserve the right to make changes judged to be necessary.
 This document contains proprietary information and such information shall not be disclosed to any third party for any purpose whatsoever or used for manufacturing purposes without prior written agreement from RADIALL



RIGHT ANGLE PLUG CRIMP TYPE

R164.176.000

CABLE 5/50 D

Series : QN

PACKAGING

Standard	Unit	Other
50	'W' option	Contact us

SPECIFICATION

ELECTRICAL CHARACTERISTICS

Impedance	50	Ω
Frequency	0-6*	GHz
VSWR	1.05 + 0.0250	x F(GHz) Maxi
Insertion loss	0.048	\sqrt{F} (GHz) dB Maxi
RF leakage	- (**)	- F(GHz)) dB Maxi
Voltage rating	850	Veff Maxi
Dielectric withstanding voltage	1500	Veff mini
Insulation resistance	5000	M Ω mini

CABLE ASSEMBLY

Stripping	a	b	c	d	e	f
mm	2.50	8.00	20.0	0.00	17.5	0.00

Assembly instruction : **Crimp 07**

Recommended cable(s)

RG 142
KX 23
RG 142 FTX
RG 400
RG 223

Characteristics indicated on this data sheet are those that can be achieved with the highest performance cable. Intrinsic limitations of the cable may diminish the performance of the assembly

Cable retention

- pull off **200** N mini
- torque **NA** N.cm

MECHANICAL CHARACTERISTICS

Center contact retention		
Axial force – Mating end	27	N mini
Axial force – Opposite end	27	N mini
Torque	NA	N.cm mini

TOOLING

Part Number	Description	Hexagon
R282.223.000	CRIMPING TOOL	5.41
R282.235.011	CRIMPING DIES M22520/5-11	5.41
R282.293.000	CRIMPING TOOL M22520/5-01	-

Recommended torque		
Mating	NA	N.cm
Panel nut	NA	N.cm
Clamp nut	NA	N.cm
A/F clamp nut	0.0000	mm

Mating life	100	Cycles mini
Weight	20.2600	g

OTHER CHARACTERISTICS

* usable 0-11GHz
** Connector only: -90dB min DC<F<3GHz
***PIM3: -112 dbm (2 x 20W at 1.8GHz)

ENVIRONMENTAL

Operating temperature	-55/+125	$^{\circ}$ C
Hermetic seal	NA	Atm.cm3/s
Panel leakage	NA	

Issue : 1308 D

In the effort to improve our products, we reserve the right to make changes judged to be necessary.
This document contains proprietary information and such information shall not be disclosed to any third party for any purpose whatsoever or used for manufacturing purposes without prior written agreement from RADIALL

