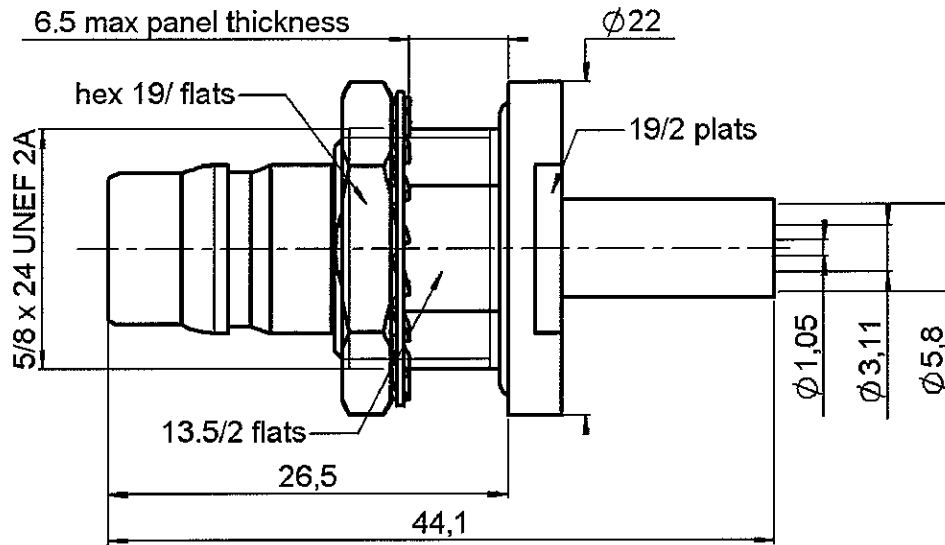


STRAIGHT BULKHEAD JACK FULL CRIMP

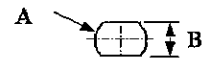
R164.329.200

PANEL SEAL CABLE 5/50 D

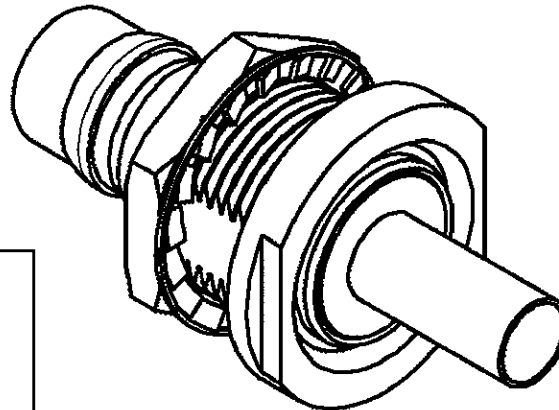
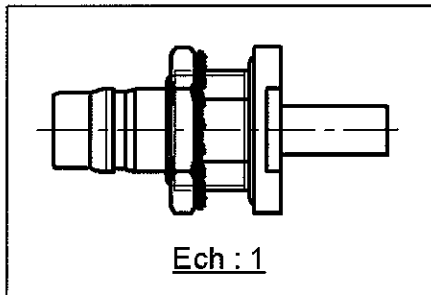
Series : QN



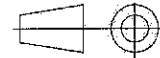
PANEL CUT OUT



| mm | | |
|----|------|------|
| | Maxi | mini |
| A | 16.3 | 16 |
| B | 13.9 | 13.6 |



All dimensions are in mm.



| COMPONENTS | MATERIALS | PLATINGS (µm) |
|----------------|------------------|-------------------------------------|
| BODY | BRASS | BBR-0.5 OVER SILVER 3 |
| CENTER CONTACT | BERYLLIUM COPPER | SILVER 5.PASSIVATED OVER COPPER 0.5 |
| OUTER CONTACT | | |
| INSULATOR | PTFE | |
| GASKET | SILICONE RUBBER | |
| OTHERS PARTS | BRASS | BBR 2 |
| - | - | - |
| - | - | - |

Issue : 0505 B

In the effort to improve our products, we reserve the right to make changes judged to be necessary.



STRAIGHT BULKHEAD JACK FULL CRIMP

R164.329.200

PANEL SEAL CABLE 5/50 D

Series : QN

PACKAGING

| Standard | Unit | Other |
|----------|------------|------------|
| 50 | 'W' option | Contact us |

SPECIFICATION

ELECTRICAL CHARACTERISTICS

| | | |
|---------------------------------|---------------|------------------------------|
| Impedance | | 50 Ω |
| Frequency | | 0-6* GHz |
| VSWR | 1.05 + | 0.025 x F(GHz) Maxi |
| Insertion loss | | 0.048 √F(GHz) dB Maxi |
| RF leakage | - (| ** - F(GHz)) dB Maxi |
| Voltage rating | | 850 Veff Maxi |
| Dielectric withstanding voltage | | 1500 Veff mini |
| Insulation resistance | | 5000 MΩ mini |

CABLE ASSEMBLY

| Stripping | a | b | c | d | e | f |
|-----------|------|------|------|------|------|------|
| mm | 4.50 | 8.00 | 15.0 | 0.00 | 10.5 | 0.00 |

Assembly instruction : **Crimp 02**

Recommended cable(s)
 RG 142
 KX 23
 RG 142 FTX
 RG 400
 RG 223

Characteristics indicated on this data sheet are those that can be achieved with the highest performance cable. Intrinsic limitations of the cable may diminish the performance of the assembly

Cable retention

- pull off **200** N mini
 - torque **NA** N.cm

MECHANICAL CHARACTERISTICS

| | | |
|----------------------------|-----------|-----------|
| Center contact retention | | |
| Axial force – Mating end | 27 | N mini |
| Axial force – Opposite end | 27 | N mini |
| Torque | NA | N.cm mini |

| | | |
|--------------------|---------------|------|
| Recommended torque | | |
| Mating | NA | N.cm |
| Panel nut | 500 | N.cm |
| Clamp nut | NA | N.cm |
| A/F clamp nut | 19.000 | mm |

| | | |
|-------------|---------------|-------------|
| Mating life | 100 | Cycles mini |
| Weight | 39.410 | g |

TOOLING

| Part Number | Description | Hexagon |
|--------------|---------------|-----------|
| R282.223.000 | CRIMPING TOOL | 1.73-5.41 |
| R282.235.011 | CRIMPING DIES | 1.73-5.41 |
| R282.293.000 | CRIMPING TOOL | - |

ENVIRONMENTAL

| | | |
|-----------------------|-----------------|-----------|
| Operating temperature | -55/+125 | ° C |
| Hermetic seal | NA | Atm.cm3/s |
| Panel leakage | RUISS | |

OTHERS CHARACTERISTICS

* usable 0-11GHz
 ** Connector only : -90dB min DC<F<3GHz
 -80dB min 3<F<6GHz

Issue : 0505 B

In the effort to improve our products, we reserve the right to make changes judged to be necessary.

