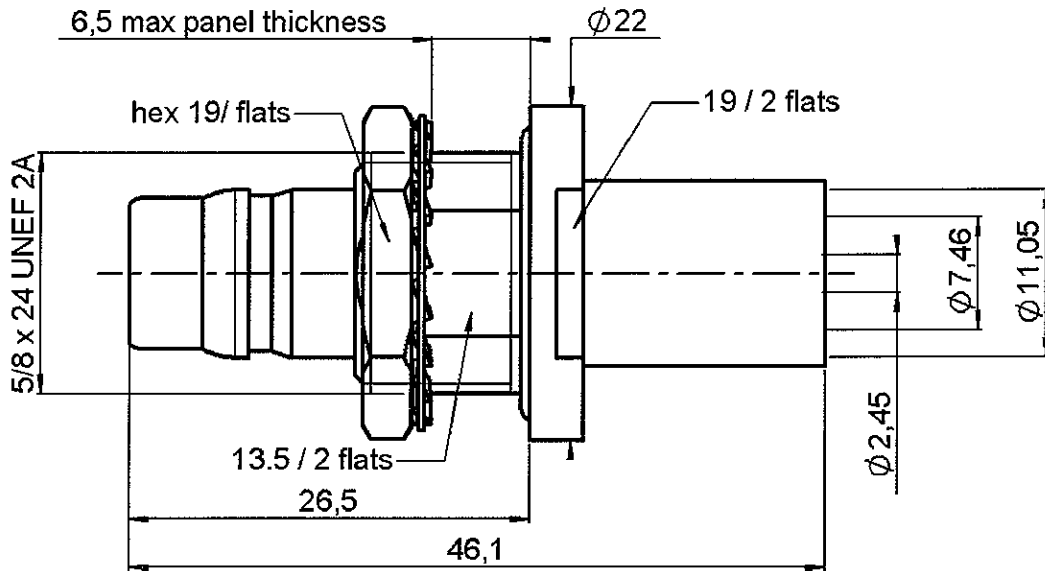


**STRAIGHT BULKHEAD JACK FULL CRIMP**

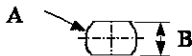
**R164.331.000**

**PANEL SEAL CABLE 10/50 S**

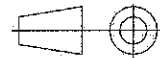
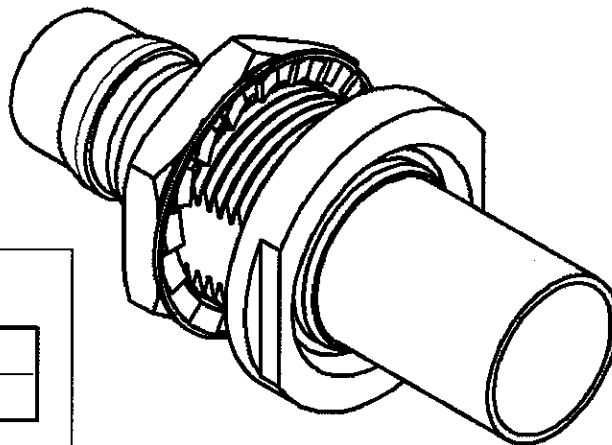
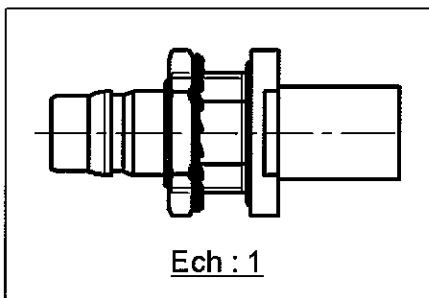
Series : QN



**PANEL CUT OUT**



	mm	
	Maxi	mini
A	16.3	16
B	13.9	13.6



All dimensions are in mm.

COMPONENTS	MATERIALS	PLATINGS (µm)
BODY	BRASS	BBR-0.5 OVER SILVER 3
CENTER CONTACT	BERYLLIUM COPPER	SILVER 5 PASSIVATED OVER COPPER 0.5
OUTER CONTACT		
INSULATOR	PTFE	
GASKET	SILICONE RUBBER	
OTHERS PARTS	BRASS	BBR 2
-	-	
-	-	

Issue : 0505 B

In the effort to improve our products, we reserve the right to make changes judged to be necessary.



**STRAIGHT BULKHEAD JACK FULL CRIMP**

**R164.331.000**

**PANEL SEAL CABLE 10/50 S**

Series : QN

**PACKAGING**

Standard	Unit	Other
50	'W' option	Contact us

**SPECIFICATION**

**ELECTRICAL CHARACTERISTICS**

Impedance		<b>50</b> Ω
Frequency		<b>0-6*</b> GHz
VSWR	<b>1.05 +</b>	<b>0.025</b> x F(GHz) Maxi
Insertion loss		<b>0.048</b> √F(GHz) dB Maxi
RF leakage	- (	<b>**</b> - F(GHz)) dB Maxi
Voltage rating		<b>1000</b> Veff Maxi
Dielectric withstanding voltage		<b>2500</b> Veff mini
Insulation resistance		<b>5000</b> MΩ mini

**CABLE ASSEMBLY**

Stripping	a	b	c	d	e	f
mm	5.00	8.00	14.0	0.00	9.00	0.00

Assembly instruction : **Crimp 02**

Recommended cable(s)  
KX 4  
RG 165  
RG 213

Characteristics indicated on this data sheet are those that can be achieved with the highest performance cable. Intrinsic limitations of the cable may diminish the performance of the assembly

Cable retention

- pull off **300** N mini  
- torque **NA** N.cm

**MECHANICAL CHARACTERISTICS**

Center contact retention		
Axial force – Mating end	<b>68</b>	N mini
Axial force – Opposite end	<b>68</b>	N mini
Torque	<b>NA</b>	N.cm mini

Recommended torque		
Mating	<b>NA</b>	N.cm
Panel nut	<b>500</b>	N.cm
Clamp nut	<b>NA</b>	N.cm
A/F clamp nut	<b>19.000</b>	mm

Mating life	<b>100</b>	Cycles mini
Weight	<b>32.663</b>	g

**TOOLING**

Part Number	Description	Hexagon
.	.	.
R282.231.000	CRIMPING TOOL	2.54-10.54
R282.235.116	CRIMPING DIES	2.54-10.54
R282.293.000	CRIMPING TOOL	

**OTHERS CHARACTERISTICS**

\* usable 0-11GHz  
\*\* Connector only : -90dB DC<F<3GHz  
-80dB min 3<F<6GHz

**ENVIRONMENTAL**

Operating temperature	<b>-55/+125</b>	° C
Hermetic seal	<b>NA</b>	Atm.cm3/s
Panel leakage	<b>RUISS</b>	

Issue : 0505 B

In the effort to improve our products, we reserve the right to make changes judged to be necessary.

