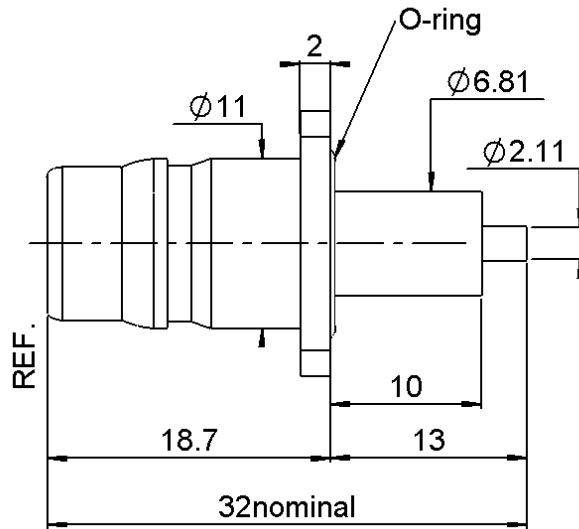
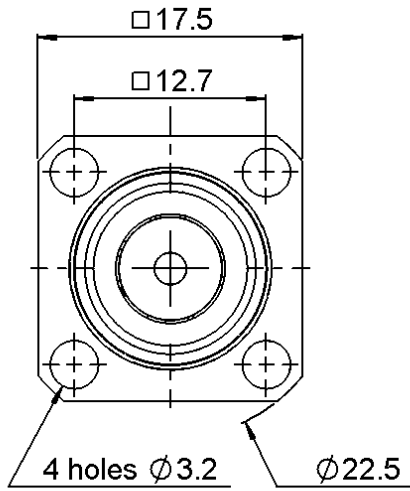


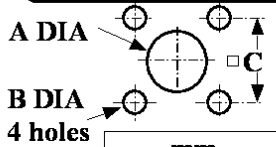
SQUARE FLANGE RECEPTACLE
PANEL SEAL WITH CYLINDRICAL CONTACT

R164.418.330

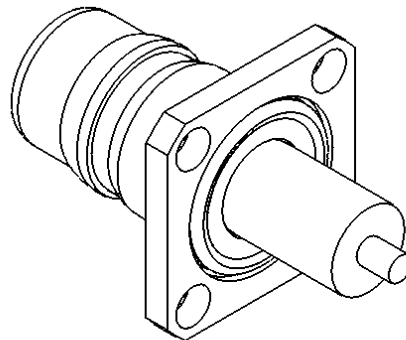
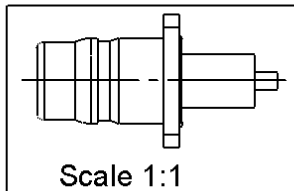
Series : QN



PANEL CUT OUT



	mm	
	Maxi	mini
A	7.85	7.95
B	3.4	3.3
C	12.75	12.65



All dimensions are in mm.



COMPONENTS	MATERIALS	PLATING (µm)
BODY	BRASS	BBR 0.5 OVER SILVER 3
CENTER CONTACT	BERYLLIUM COPPER	
OUTER CONTACT	-	
INSULATOR	PTFE	
GASKET	SILICON	
OTHERS PARTS	-	
-	-	
-	-	

Issue : 0647 A

In the effort to improve our products, we reserve the right to make changes judged to be necessary.



**SQUARE FLANGE RECEPTACLE
PANEL SEAL WITH CYLINDRICAL CONTACT**

R164.418.330

Series : QN

PACKAGING

SPECIFICATION

Standard	Unit	Other
50	'W' option	Contact us

ELECTRICAL CHARACTERISTICS

Impedance	50	Ω
Frequency	0-6	GHz
VSWR	1.05 + 0,0250	x F(GHz) Maxi
Insertion loss	0.048	\sqrt{F} (GHz) dB Maxi
RF leakage	- (90	- F(GHz)) dB Maxi
Voltage rating	1000	Veff Maxi
Dielectric withstanding voltage	2000	Veff mini
Insulation resistance	5000	M Ω mini

ENVIRONMENTAL

Operating temperature	-55/+125	$^{\circ}$ C
Hermetic seal	NA	Atm.cm3/s
Panel leakage	IP67	

OTHER CHARACTERISTICS

Assembly instruction

Others :

Usable:0-11GHz
RF Leakage:-80dB min 3<F<6GHz
PIM3:-112dBm(2x20W at 1.8GHz)

MECHANICAL CHARACTERISTICS

Center contact retention		
Axial force – Mating end	18	N mini
Axial force – Opposite end	18	N mini
Torque	NA	N.cm mini
Recommended torque		
Mating	NA	N.cm
Panel nut	NA	N.cm
Mating life	100	Cycles mini
Weight	12,0600	g

Issue : 0647 A

In the effort to improve our products, we reserve the right to make changes judged to be necessary.



PRELIMINARY