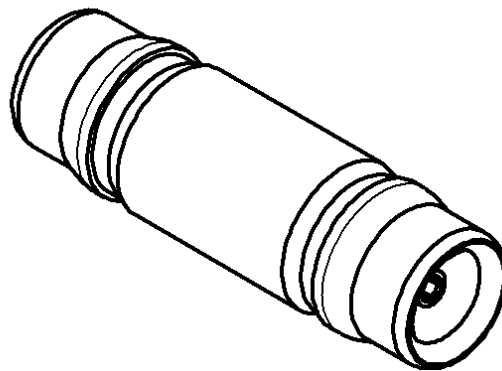
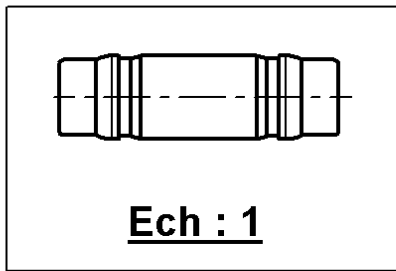
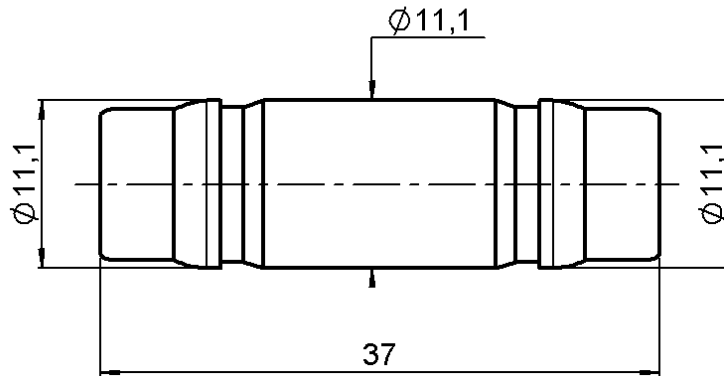


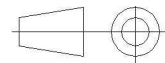
**QN FEMALE - QN FEMALE ADAPTER**

**R164.705.000**

Series : QN



All dimensions are in mm.



COMPONENTS	MATERIALS	PLATINGS ( $\mu\text{m}$ )
BODY	BRASS	BBR 0.5 OVER SILVER 3
CENTER CONTACT	BERYLLIUM COPPER	SILVER 5 PASSIVATED OVER COPPER 0.5
OUTER CONTACT		
INSULATOR	PTFE	
GASKET		
OTHERS PARTS		
-	-	-
-	-	-

Issue : 0420 B

In the effort to improve our products, we reserve the right to make changes judged to be necessary.



**QN FEMALE - QN FEMALE ADAPTER**

**R164.705.000**

Series : QN

**PACKAGING**

**SPECIFICATION**

Standard	Unit	Other
<b>50</b>	<b>'W' option</b>	<b>Contact us</b>

**ELECTRICAL CHARACTERISTICS**

**ENVIRONMENTAL**

Impedance		<b>50</b> Ω
Frequency		<b>0-6*</b> GHz
VSWR	<b>1.05</b> +	<b>0.025</b> x F(GHz) Maxi
Insertion loss		<b>0.048</b> √F(GHz) dB Maxi
RF leakage	- (	<b>**90</b> - F(GHz)) dB Maxi
Voltage rating		<b>1400</b> Veff Maxi
Dielectric withstanding voltage		<b>2500</b> Veff mini
Insulation resistance		<b>5000</b> MΩ mini

Operating temperature	<b>-55/+125</b> ° C
Hermetic seal	Atm.cm3/s
Panel leakage	

**OTHERS CHARACTERISTICS**

Assembly instruction

Others :

- \* usable 0-11GHz
- \*\*RF Leakage: -80dB min 3<F<6GHz
- \*\*\*PIM3: -112 dBm (2 x 20W at 1.8GHz)

**MECHANICAL CHARACTERISTICS**

Center contact retention		
Axial force – Mating end	<b>27</b>	N mini
Axial force – Opposite end	<b>27</b>	N mini
Torque	<b>NA</b>	N.cm mini
Recommended torque		
Mating	<b>NA</b>	N.cm
Panel nut	<b>NA</b>	N.cm
Mating life	<b>100</b>	Cycles mini
Weight	<b>18.300</b>	g

Issue : 0420 B

In the effort to improve our products, we reserve the right to make changes judged to be necessary.

