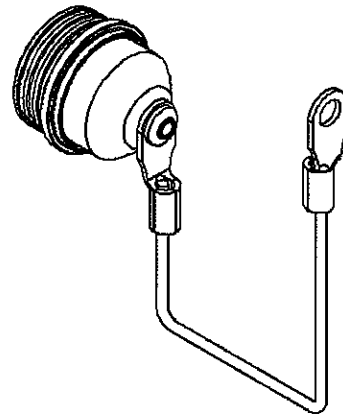
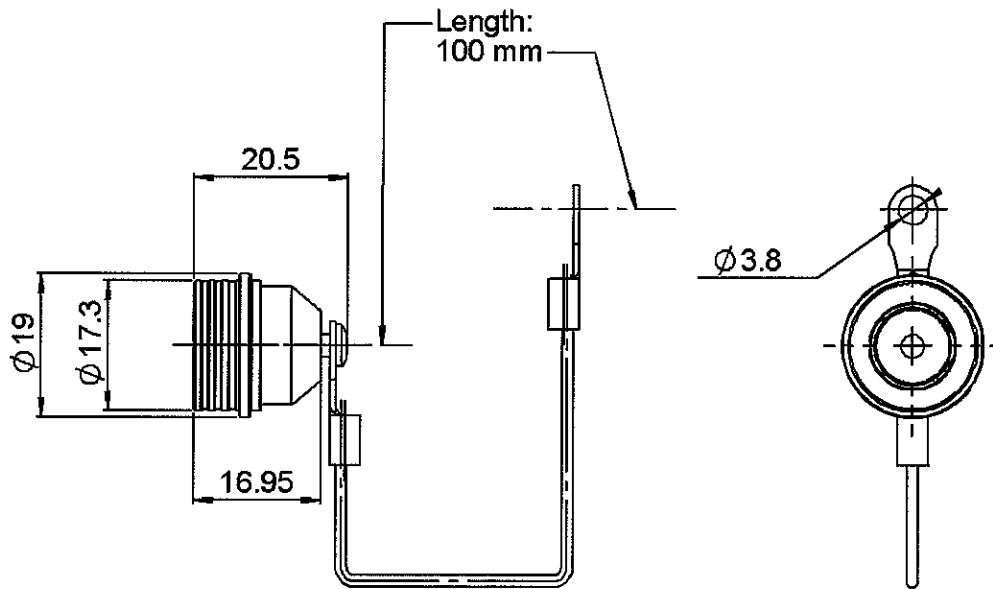


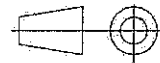
**MALE PROTECTIVE CAP  
WITH CORD**

**R164.804.000**

Series : QN



All dimensions are in mm.



| COMPONENTS     | MATERIALS | PLATINGS (µm) |
|----------------|-----------|---------------|
| BODY           | BRASS     | BBR 2         |
| CENTER CONTACT |           |               |
| OUTER CONTACT  |           |               |
| INSULATOR      |           |               |
| GASKET         | EPDM      |               |
| OTHERS PARTS   | BRASS     | BBR 2         |
| -              | -         | -             |
| -              | -         | -             |

Issue : 0519 B

In the effort to improve our products, we reserve the right to make changes judged to be necessary.



**MALE PROTECTIVE CAP  
WITH CORD**

**R164.804.000**

Series : QN

**PACKAGING**

**SPECIFICATION**

| Standard | Unit       | Other      |
|----------|------------|------------|
| 50       | 'W' option | Contact us |

**ELECTRICAL CHARACTERISTICS**

**ENVIRONMENTAL**

|                                 |      |                             |
|---------------------------------|------|-----------------------------|
| Impedance                       |      | NA $\Omega$                 |
| Frequency                       |      | NA GHz                      |
| VSWR                            | NA + | 0.000 x F(GHz) Maxi         |
| Insertion loss                  |      | NA $\sqrt{F}$ (GHz) dB Maxi |
| RF leakage                      | - (  | NA - F(GHz)) dB Maxi        |
| Voltage rating                  |      | NA Veff Maxi                |
| Dielectric withstanding voltage |      | NA Veff mini                |
| Insulation resistance           |      | NA M $\Omega$ mini          |

|                       |              |
|-----------------------|--------------|
| Operating temperature | -55/+125 °C  |
| Hermetic seal         | NA Atm.cm3/s |
| Panel leakage         | NA           |

**OTHERS CHARACTERISTICS**

Assembly instruction

Others :

**MECHANICAL CHARACTERISTICS**

|                            |  |                 |
|----------------------------|--|-----------------|
| Center contact retention   |  |                 |
| Axial force – Mating end   |  | NA N mini       |
| Axial force – Opposite end |  | NA N mini       |
| Torque                     |  | NA N.cm mini    |
| Recommended torque         |  |                 |
| Mating                     |  | NA N.cm         |
| Panel nut                  |  | NA N.cm         |
| Mating life                |  | 100 Cycles mini |
| Weight                     |  | 15.090 g        |

Issue : 0519 B

In the effort to improve our products, we reserve the right to make changes judged to be necessary.



**RADIALL®**