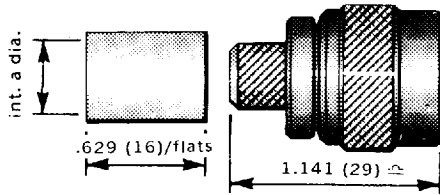


C

CRIMP TYPE FOR FLEXIBLE CABLE

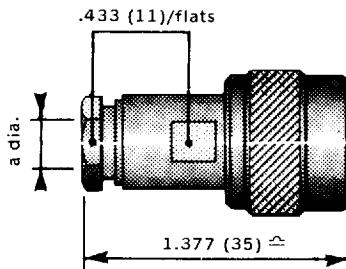
Straight plug



CABLE GROUP	10/50
PART NUMBER	R 166 075 ●
a Dia.	.417 (10.6)
Assembly code	M05 page 17

CABLE CLAMP TYPE FOR SEMI-RIGID CABLE

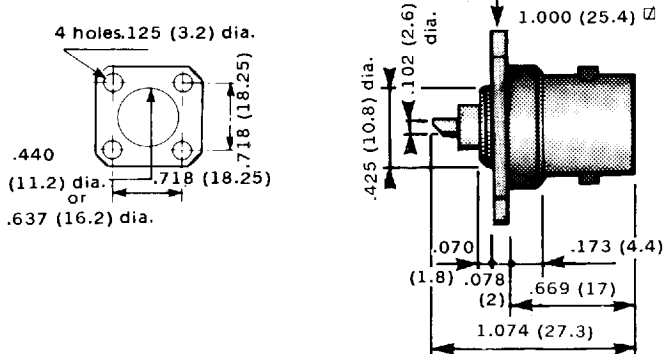
Straight plugs



CABLE GROUP	.141"	.250"
PART NUMBER	R 166 052 ●	R 166 053 ●
a Dia.	.143 (3.65)	.259 (6.6)
Assembly code	M06 page 18	M07 page 18

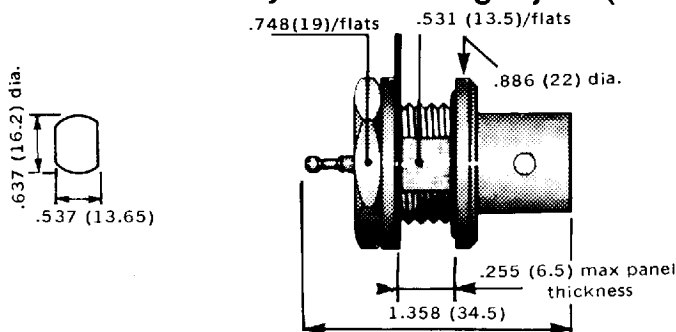
FLANGE AND BULKHEAD MOUNT RECEPTACLES

Square flange straight jack (solder pot)



CABLE GROUP	R 166 404
MIL (UG)	UG 568 /U

Bulkhead hermetically sealed straight jack (solder pot)



PART NUMBER	R 166 607 ●
-------------	--------------------

● Manufactured upon request. Please consult us.