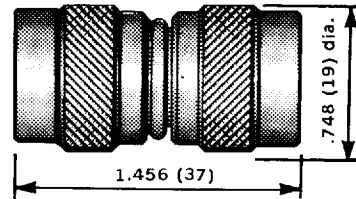


**IN SERIES ADAPTERS**

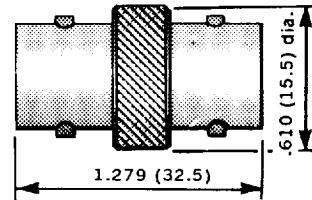
**Straight plug/plug**

PART NUMBER	<b>R 166 703</b>
MIL (UG)	UG 642 A/U



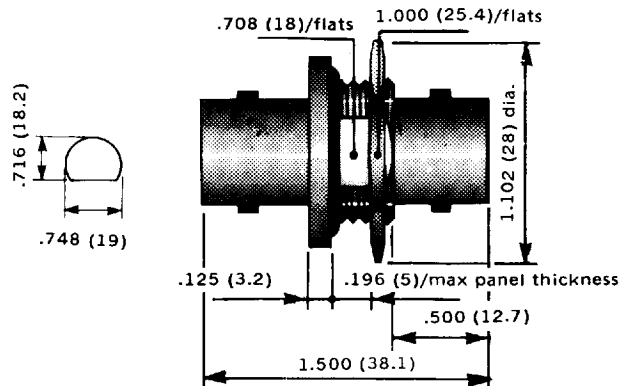
**Straight jack/jack**

PART NUMBER	<b>R 166 705</b>
MIL (UG)	UG 643 A/U



**Bulkhead hermetically sealed straight jack/jack**

PART NUMBER	<b>R 166 753</b>
MIL (UG)	UG 701 /U



**Right angle plug/jack**

PART NUMBER	<b>R 166 770</b>
MIL (UG)	UG 567 A/U

