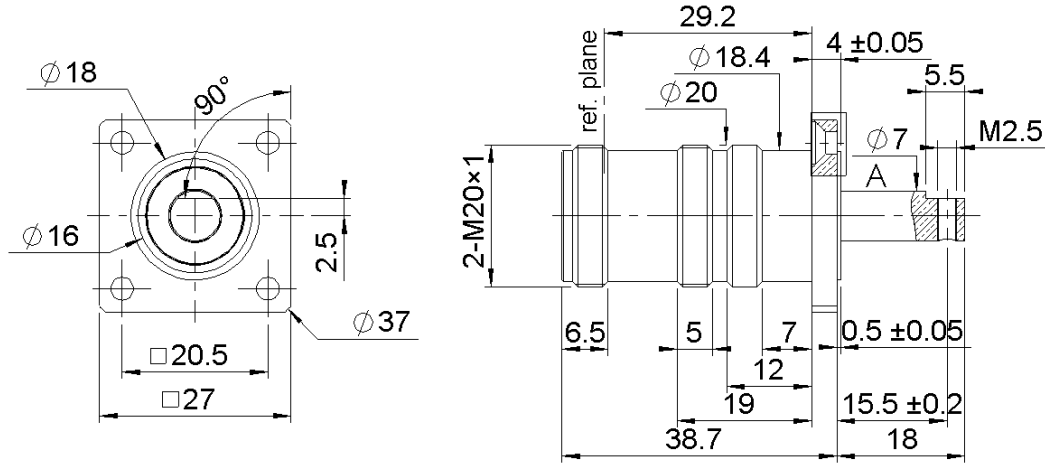
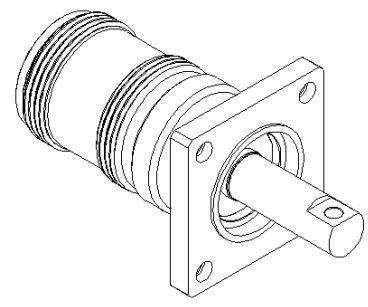
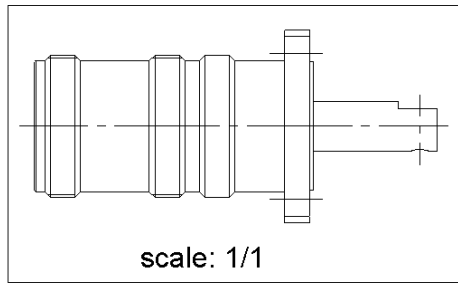
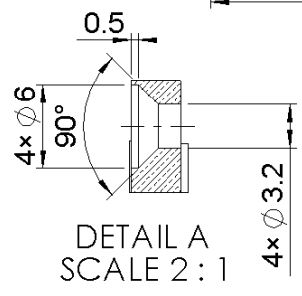


PAGE 1/2	ISSUE 1338B	SERIES 4.1-9.5	PART NUMBER R170413207
----------	-------------	----------------	------------------------

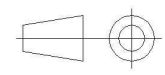


PANEL CUT OUT

mm		
	Maxi	mini
A	18.2	18.1
B	3.45	3.35
C	20.55	20.45



All dimensions are in mm.



COMPONENTS	MATERIALS	PLATING (µm)
Body	BRASS	BBR
Center contact	BRONZE	SILVER OVER COPPER
Outer contact		
Insulator	PTFE	
Gasket		
Others parts		
-	-	-
-	-	-

PAGE 2/2	ISSUE 1338B	SERIES 4.1-9.5	PART NUMBER R170413207
----------	--------------------	-----------------------	-------------------------------

PACKAGING

Standard	Unit	Other
10	Contact us	Contact us

ELECTRICAL CHARACTERISTICS

Impedance		50	Ω
Frequency		0-6	GHz
VSWR	*1.02	+	0.0200 x F(GHz) Maxi
Insertion loss		0.05	√F(GHz) dB Maxi
RF leakage	- (NA	- F(GHz)) dB Maxi
Voltage rating		1400	Veff Maxi
Dielectric withstanding voltage		2500	Veff mini
Insulation resistance		5000	MΩ mini

MECHANICAL CHARACTERISTICS

Center contact retention			
Axial force – Mating End		27	N mini
Axial force – Opposite end		27	N mini
Torque		45	N.cm mini
Recommended torque			
Mating		NA	N.cm
Panel nut		NA	N.cm
Mating life		500	Cycles mini
Weight		76.1500	g

ENVIRONMENTAL

Operating temperature	-55/+120	°C
Hermetic seal	NA	Atm.cm3/s
Panel leakage	TBD	

SPECIFICATION

OTHER CHARACTERISTICS

Assembly instruction:**NA**

Others:
***Interface only**