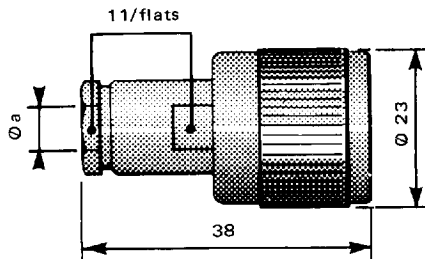
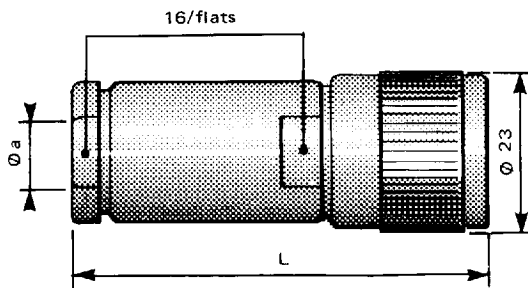


CODE No.	UG. REF.	T Y P E	CABLE GROUP Ω	ASSEMBLY CODE	MAX. ϕ_a	WEIGHT (g)
----------	----------	---------	-------------------------	---------------	---------------	------------

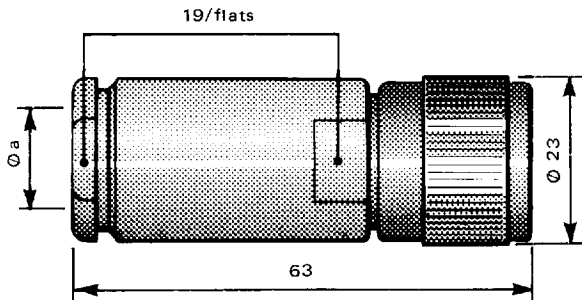
STRAIGHT PLUGS



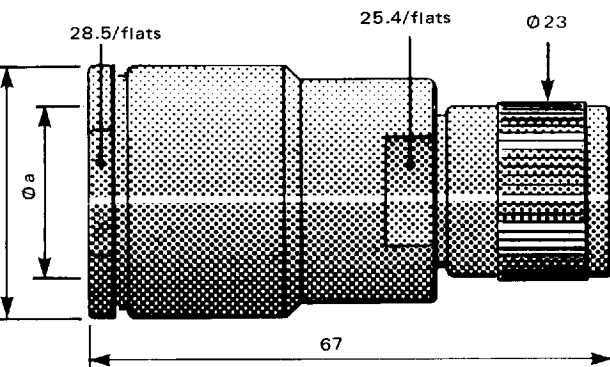
R 176 006		Cable clamp - shouldered centre contact	5/50 Ω	M01	5,6	48
R 176 012		Cable clamp - shouldered centre contact	6/75 + 93 Ω	M01	6,5	47
R 176 012 150		Cable clamp - shouldered centre contact Ceramic insulator	6/75 + 93 Ω		6,5	47



R 176 018		Cable clamp - shouldered centre contact	10/50 Ω 11/50 Ω	M02	11,2	72
L = 49						
R 176 019	UG.59B/U	Cable clamp - shouldered centre contact	10/50 Ω 11/50 Ω	M03	11,2	83
L = 56,5						
R 176 021		Cable clamp - shouldered centre contact	10/50 Ω 11/50 Ω	M05	11,2	80
L = 53						



R 176 027	UG.494A/U	Cable clamp - shouldered centre contact	14/50 Ω	M04	14,4	95
R 176 027 150		Cable clamp - shouldered centre contact Ceramic insulator	14/50 Ω		14,4	100



R 176 029	UG.495B/U	Cable clamp - shouldered centre contact	22/50 Ω	M04	22,9	184
-----------	-----------	---	----------------	-----	------	-----

Non standard (see note page 3)