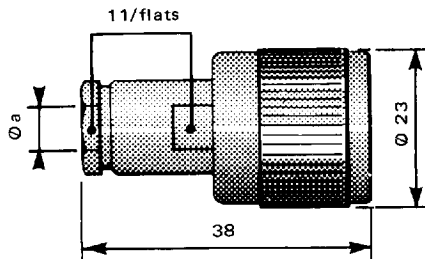
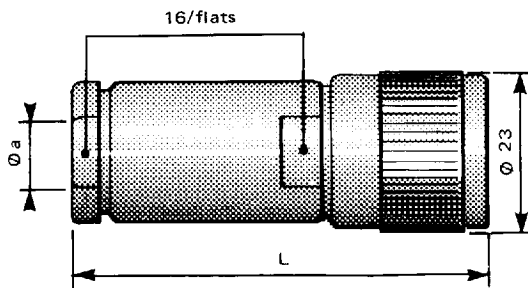


| CODE No. | UG. REF. | T Y P E | CABLE GROUP Ω | ASSEMBLY CODE | MAX. ϕ_a | WEIGHT (g) |
|----------|-------------|---------|----------------------------|------------------|---------------|------------|
|----------|-------------|---------|----------------------------|------------------|---------------|------------|

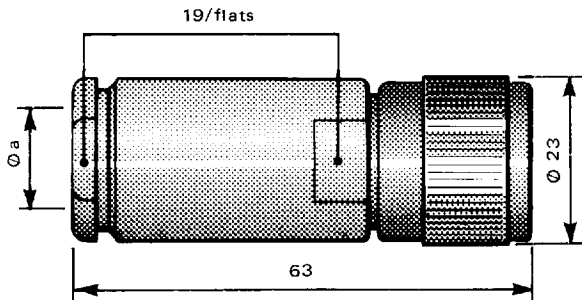
STRAIGHT PLUGS



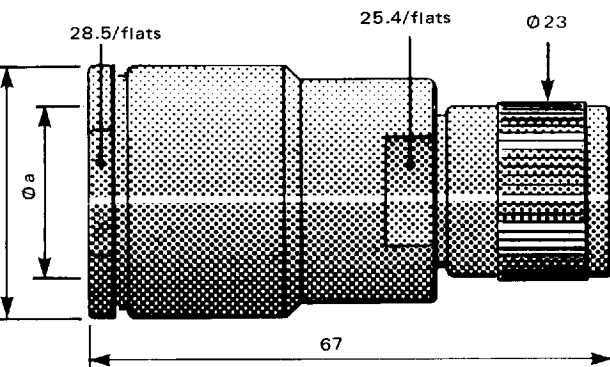
| | | | | | | |
|---------------|--|--|-----------------------|-----|-----|----|
| R 176 006 | | Cable clamp - shouldered centre contact | 5/50 Ω | M01 | 5,6 | 48 |
| R 176 012 | | Cable clamp - shouldered centre contact | 6/75 + 93 Ω | M01 | 6,5 | 47 |
| R 176 012 150 | | Cable clamp - shouldered centre contact Ceramic insulator | 6/75 + 93 Ω | | 6,5 | 47 |



| | | | | | | |
|-----------|----------|---|----------------------------------|-----|------|----|
| R 176 018 | | Cable clamp - shouldered centre contact | 10/50 Ω 11/50 Ω | M02 | 11,2 | 72 |
| R 176 019 | UG.59B/U | Cable clamp - shouldered centre contact | 10/50 Ω 11/50 Ω | M03 | 11,2 | 83 |
| R 176 021 | | Cable clamp - shouldered centre contact | 10/50 Ω 11/50 Ω | M05 | 11,2 | 80 |



| | | | | | | |
|---------------|-----------|--|----------------|-----|------|-----|
| R 176 027 | UG.494A/U | Cable clamp - shouldered centre contact | 14/50 Ω | M04 | 14,4 | 95 |
| R 176 027 150 | | Cable clamp - shouldered centre contact Ceramic insulator | 14/50 Ω | | 14,4 | 100 |



| | | | | | | |
|-----------|-----------|---|----------------|-----|------|-----|
| R 176 029 | UG.495B/U | Cable clamp - shouldered centre contact | 22/50 Ω | M04 | 22,9 | 184 |
|-----------|-----------|---|----------------|-----|------|-----|

Non standard (see note page 3)