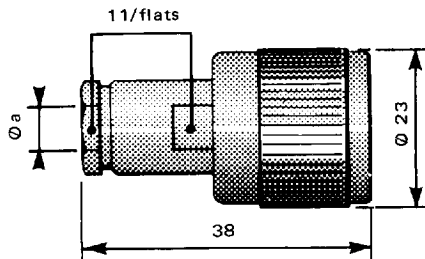
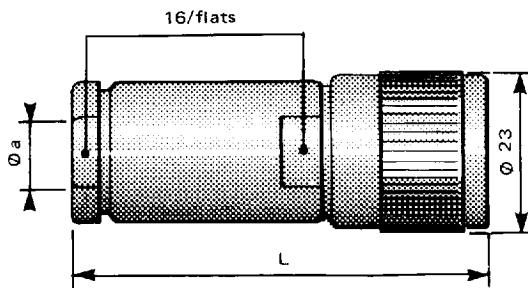


CODE No.	UG. REF.	T Y P E	CABLE GROUP $\Omega$	ASSEMBLY CODE	MAX. $\phi_a$	WEIGHT (g)
----------	-------------	---------	----------------------------	------------------	---------------	------------

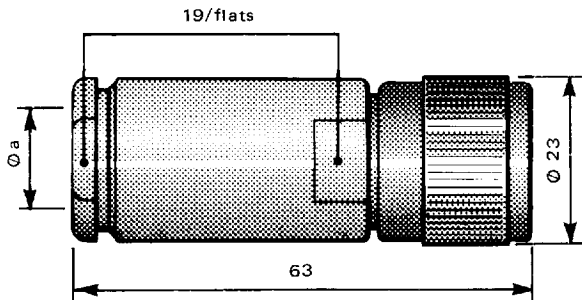
## STRAIGHT PLUGS



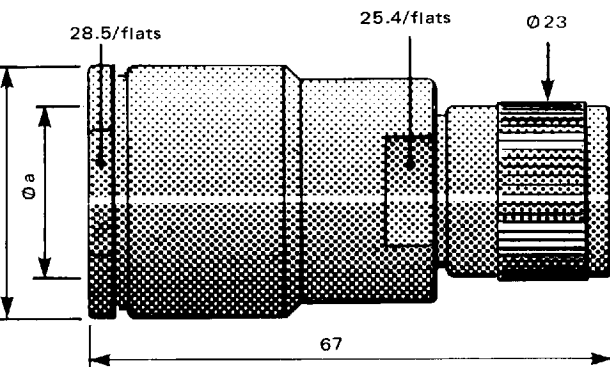
R 176 006		Cable clamp - shouldered centre contact	5/50 $\Omega$	M01	5,6	48
R 176 012		Cable clamp - shouldered centre contact	6/75 + 93 $\Omega$	M01	6,5	47
R 176 012 150		Cable clamp - shouldered centre contact Ceramic insulator	6/75 + 93 $\Omega$		6,5	47



R 176 018		Cable clamp - shouldered centre contact	10/50 $\Omega$ 11/50 $\Omega$	M02	11,2	72
R 176 019	UG.59B/U	Cable clamp - shouldered centre contact	10/50 $\Omega$ 11/50 $\Omega$	M03	11,2	83
R 176 021		Cable clamp - shouldered centre contact	10/50 $\Omega$ 11/50 $\Omega$	M05	11,2	80



R 176 027	UG.494A/U	Cable clamp - shouldered centre contact	14/50 $\Omega$	M04	14,4	95
R 176 027 150		Cable clamp - shouldered centre contact Ceramic insulator	14/50 $\Omega$		14,4	100



R 176 029	UG.495B/U	Cable clamp - shouldered centre contact	22/50 $\Omega$	M04	22,9	184
-----------	-----------	---	----------------	-----	------	-----

Non standard (see note page 3)

# HN series

CODE No.	UG. REF.	T Y P E	CABLE GROUP $\Omega$	ASSEMBLY CODE	MAX. $\phi_a$	WEIGHT (g)
----------	----------	---------	-------------------------	---------------	---------------	------------

## STRAIGHT JACK

R 176 218	UG.60D/U	Cable clamp - shouldered centre contact	10/50 $\Omega$ 11/50 $\Omega$	M03	11,2	66
-----------	----------	---	----------------------------------	-----	------	----

## STRAIGHT FLANGE JACK

R 176 268	UG.61D/U	Cable clamp	10/50 $\Omega$ 11/50 $\Omega$	M03	11,2	75
-----------	----------	-------------	----------------------------------	-----	------	----

## FLANGE RECEPTACLE

R 176 404	UG.496/U	Square flange - solder pot				38
-----------	----------	----------------------------	--	--	--	----

## ADAPTORS

R 176 754		Bulkhead female - female, splashproof panel seal				80
-----------	--	--	--	--	--	----

R 176 754 150		Bulkhead female - female, splashproof panel seal Ceramic insulator				80
---------------	--	---	--	--	--	----

R 176 770	UG.212C/U	Elbow male - female				73
-----------	-----------	---------------------	--	--	--	----

