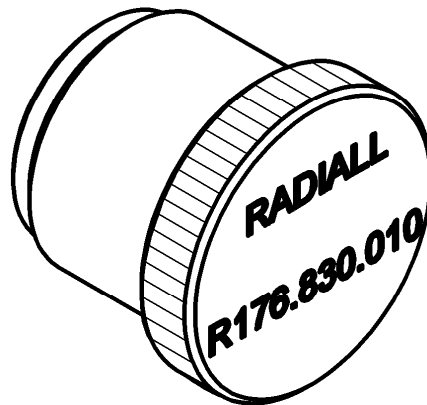
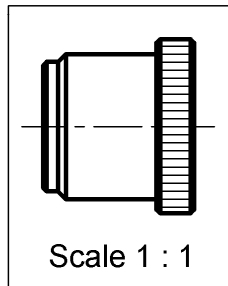
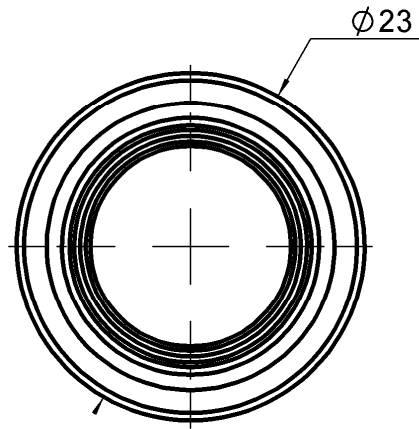
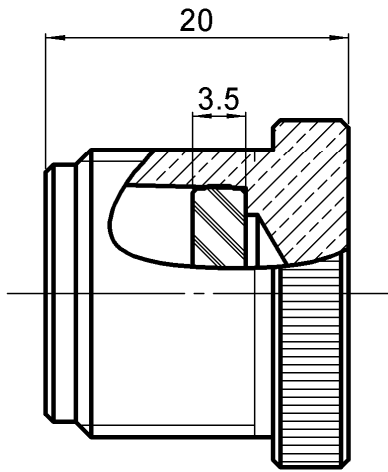


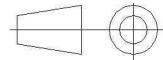
PROTECTION PLUG

R176.830.010

Series : HN



All dimensions are in mm.



COMPONENTS	MATERIALS	PLATING (μm)
BODY	BRASS	NICKEL 2
CENTER CONTACT	-	-
OUTER CONTACT	-	-
INSULATOR	PTFE	-
GASKET	-	-
OTHERS PARTS	-	-
-	-	-
-	-	-

Issue : 0843 A

In the effort to improve our products, we reserve the right to make changes judged to be necessary.



PROTECTION PLUG

R176.830.010

Series : **HN**

PACKAGING

SPECIFICATION

Standard	Unit	Other
1		Contact us

ELECTRICAL CHARACTERISTICS

ENVIRONMENTAL

Impedance **50** Ω
 Frequency **DC-3** GHz
 VSWR **NA + 0,0000** x F(GHz) Maxi
 Insertion loss **NA** √F(GHz) dB Maxi
 RF leakage - (**NA** - F(GHz)) dB Maxi
 Voltage rating **NA** Veff Maxi
 Dielectric withstanding voltage **NA** Veff mini
 Insulation resistance **NA** MΩ mini

Operating temperature **NA** °C
 Hermetic seal **NA** Atm.cm3/s
 Panel leakage **NA**

OTHER CHARACTERISTICS

Assembly instruction

Others :

MECHANICAL CHARACTERISTICS

Center contact retention
 Axial force – Mating end **NA** N mini
 Axial force – Opposite end **NA** N mini
 Torque **NA** N.cm mini

Recommended torque
 Mating **NA** N.cm
 Panel nut **NA** N.cm

Mating life **0** Cycles mini
 Weight **34,4500** g

Issue : 0843 A

In the effort to improve our products, we reserve the right to make changes judged to be necessary.

