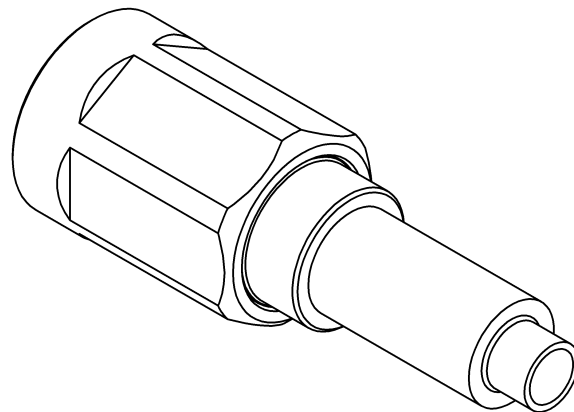
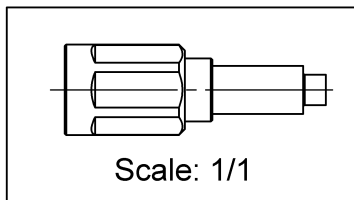
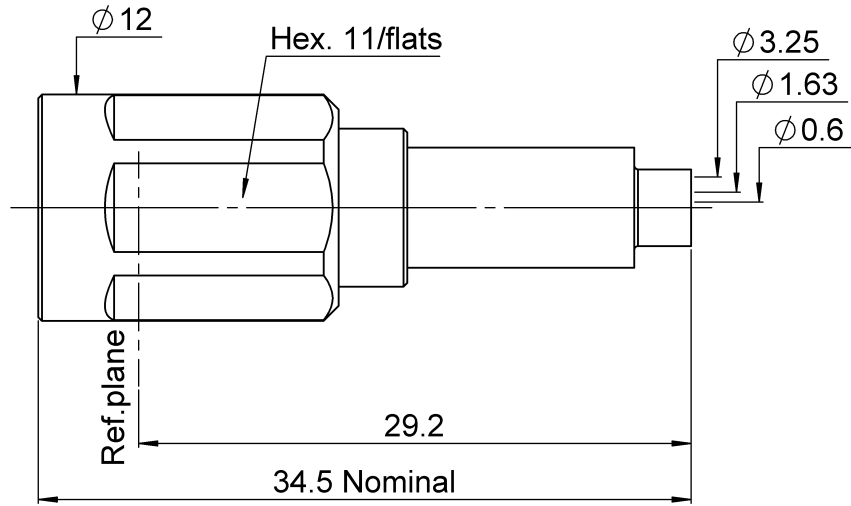
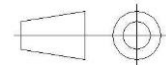


PAGE 1/2	ISSUE 21-02-18A	SERIES NEX10	PART NUMBER R180080006
----------	-----------------	--------------	------------------------



All dimensions are in mm. Tolerances according ISO 2768 m-H



COMPONENTS	MATERIALS	PLATING (µm)
Body	<b>BRASS.</b>	<b>HEP2R</b>
Center contact	<b>BRASS.</b>	<b>SILVER</b>
Outer contact	<b>BERYLLIUM COPPER</b>	<b>SILVER</b>
Insulator	<b>PTFE</b>	
Gasket	<b>SILICONE RUBBER</b>	
Others parts	<b>BRASS, BERYLLIUM COPPER</b>	<b>HEP2R, BBR</b>
-	-	-
-	-	-

PAGE <b>2/2</b>	ISSUE <b>21-02-18A</b>	SERIES <b>NEX10</b>	PART NUMBER <b>R180080006</b>
-----------------	------------------------	---------------------	-------------------------------

### PACKAGING

Standard	Unit	Other
<b>50</b>	<b>Contact us</b>	<b>Contact us</b>

### ELECTRICAL CHARACTERISTICS

Impedance	<b>50</b>	$\Omega$
Frequency	<b>0-20</b>	GHz
VSWR	<b>1.35 + 0.0000</b>	x F(GHz) Maxi
Insertion loss	<b>0.05</b>	$\sqrt{F}$ (GHz) dB Maxi
RF leakage	- ( <b>NA</b> )	- F(GHz)) dB Maxi
Voltage rating	<b>500</b>	Veff Maxi
Dielectric withstanding voltage	<b>1500</b>	Veff mini
Insulation resistance	<b>5000</b>	M $\Omega$ mini

### MECHANICAL CHARACTERISTICS

Center contact retention		
Axial force – Mating End	<b>NA</b>	N mini
Axial force – Opposite end	<b>NA</b>	N mini
Torque	<b>NA</b>	N.cm mini
Recommended torque		
Mating	<b>300</b>	N.cm
Panel nut	<b>NA</b>	N.cm
Clamp nut	<b>NA</b>	N.cm
A/F clamp nut	<b>0.0000</b>	mm
Mating life	<b>100</b>	Cycles mini
Weight	<b>10.9100</b>	g

### ENVIRONMENTAL

Operating temperature	<b>-55/+125</b>	$^{\circ}\text{C}$
Hermetic seal	<b>NA</b>	Atm.cm3/s
Panel leakage	<b>NA</b>	

### SPECIFICATION

### CABLE ASSEMBLY

Stripping	a	b	c	d	e	f
mm	<b>3.2</b>	<b>8</b>	<b>12.7</b>	<b>0</b>	<b>9.5</b>	<b>0</b>

Assembly instruction: **Crimp 03**

Recommended cable(s)

**K02252D**  
**RD 316**

Characteristics indicated on this data sheet are those that can be achieved with the highest performance cable. Intrinsic limitations of the cable may diminish the performance of the assembly

Cable retention

- pull off	<b>40</b>	N mini
- torque	<b>NA</b>	N.cm

### TOOLING

Part Number	Description	Hexagon
R282223000	CRIMPING TOOL	
R282235011	CRIMPING DIES M22520/5-11	
R282293000	CRIMPING TOOL M22520/5-01	

### OTHER CHARACTERISTICS

CUSTOMER'S APPROVAL

Department or company's stamp

Name :

Date :

Copy to send back to  
RADIALL S.A. BEFORE :