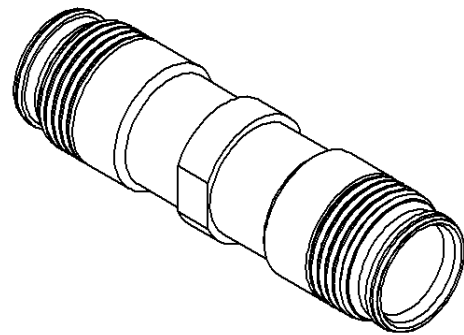
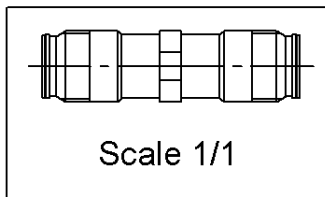
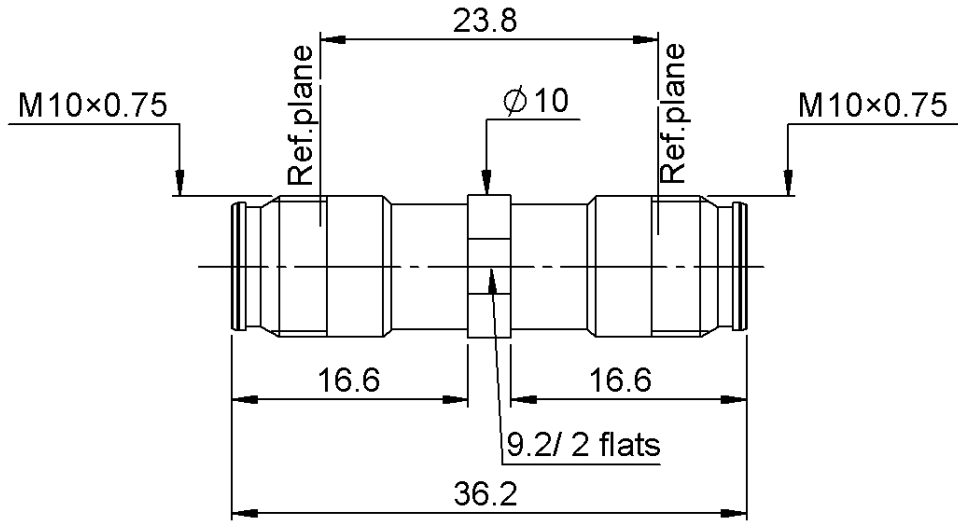
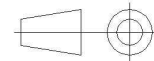


PAGE 1/2	ISSUE 01-02-18A	SERIES NEX10	PART NUMBER R180705006
----------	-----------------	--------------	------------------------



All dimensions are in mm. Tolerances according ISO 2768 m-H



COMPONENTS	MATERIALS	PLATING ( $\mu\text{m}$ )
Body	<b>BRASS.</b>	<b>HEP2R</b>
Center contact	<b>BERYLLIUM COPPER</b>	<b>SILVER</b>
Outer contact		
Insulator	<b>PTFE</b>	
Gasket		
Others parts		
-	-	-
-	-	-

PAGE 2/2	ISSUE <b>01-02-18A</b>	SERIES <b>NEX10</b>	PART NUMBER <b>R180705006</b>
----------	------------------------	---------------------	-------------------------------

**PACKAGING**

Standard	Unit	Other
<b>50</b>	<b>Contact us</b>	<b>Contact us</b>

**ELECTRICAL CHARACTERISTICS**

Impedance		<b>50</b>	Ω
Frequency		<b>0-20</b>	GHz
VSWR	<b>1.02</b> +	<b>0.0200</b>	x F(GHz) Maxi
Insertion loss		<b>0.05</b>	√F(GHz) dB Maxi
RF leakage	- (	<b>NA</b>	- F(GHz)) dB Maxi
Voltage rating		<b>500</b>	Veff Maxi
Dielectric withstanding voltage		<b>1500</b>	Veff mini
Insulation resistance		<b>5000</b>	MΩ mini

**MECHANICAL CHARACTERISTICS**

Center contact retention			
Axial force – Mating End		<b>27</b>	N mini
Axial force – Opposite end		<b>27</b>	N mini
Torque		<b>NA</b>	N.cm mini
Recommended torque			
Mating		<b>NA</b>	N.cm
Panel nut		<b>NA</b>	N.cm
Mating life		<b>100</b>	Cycles mini
Weight		<b>13.6600</b>	g

**ENVIRONMENTAL**

Operating temperature	<b>-55/+125</b>	°C
Hermetic seal	<b>NA</b>	Atm.cm3/s
Panel leakage	<b>NA</b>	

**SPECIFICATION**

**OTHER CHARACTERISTICS**

Assembly instruction:**NA**

Others:  
**\*IP68(1m,24h) mated condition**  
**\*\*PIM3<=-123 dBm, 2 carriers of +43dBm**

CUSTOMER'S APPROVAL	
Department or company's stamp	
Name :	
Date :	
Copy to send back to RADIALL S.A. BEFORE :	