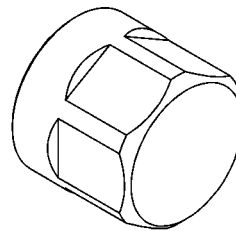
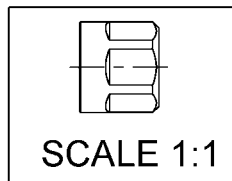
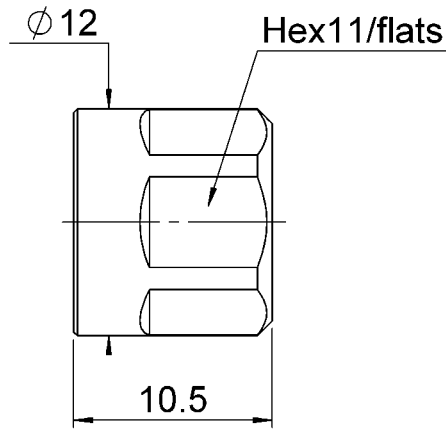
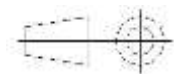


PAGE 1/2	ISSUE 19-04-17A	SERIES NEX10	PART NUMBER R180805007
----------	-----------------	--------------	------------------------



All dimensions are in mm.



COMPONENTS	MATERIALS	PLATING (μm)
Body	BRASS.	BBR
Center contact		
Outer contact		
Insulator		
Gasket	SILICONE RUBBER	
Others parts		
-	-	-
-	-	-

PAGE 2/2	ISSUE 19-04-17A	SERIES NEX10	PART NUMBER R180805007
----------	-----------------	--------------	------------------------

PACKAGING

Standard	Unit	Other
100	Contact us	Contact us

ELECTRICAL CHARACTERISTICS

Impedance		NA	Ω
Frequency		NA	GHz
VSWR	NA	+	0.000 x F(GHz) Maxi
Insertion loss		NA	\sqrt{F} (GHz) dB Maxi
RF leakage		NA	- F(GHz) dB Maxi
Voltage rating		NA	Veff Maxi
Dielectric withstanding voltage		NA	Veff mini
Insulation resistance		NA	M Ω mini

ENVIRONMENTAL

Operating temperature	-55/+125	$^{\circ}\text{C}$
Hermetic seal	NA	Atm.cm3/s
Panel leakage	NA	

MECHANICAL CHARACTERISTICS

Center contact retention			
Axial force – Mating End		NA	N mini
Axial force – Opposite end		NA	N mini
Torque		NA	N.cm mini
Recommended torque			
Mating		100	N.cm
Panel nut		NA	N.cm
Mating life		100	Cycles mini
Weight		4.220	g

SPECIFICATION

OTHER CHARACTERISTICS

Assembly instruction:

Others:
IP67 mated condition