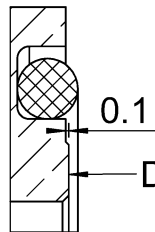
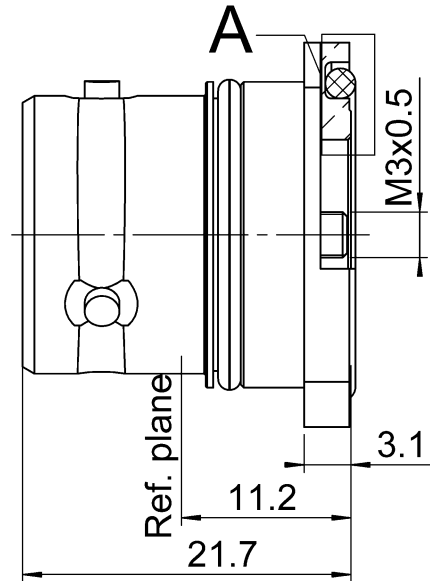
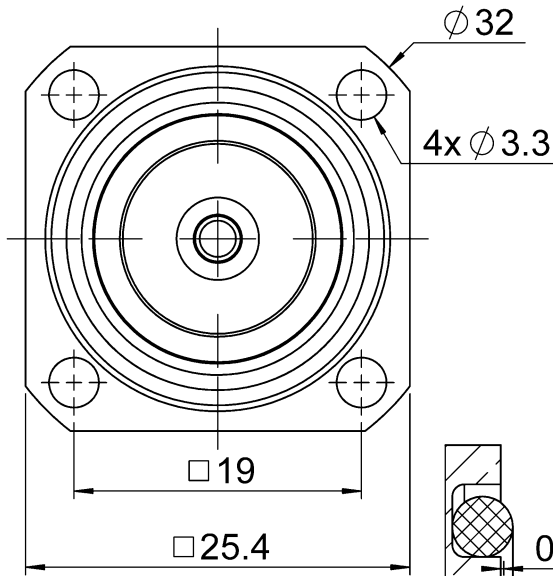
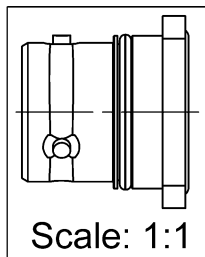
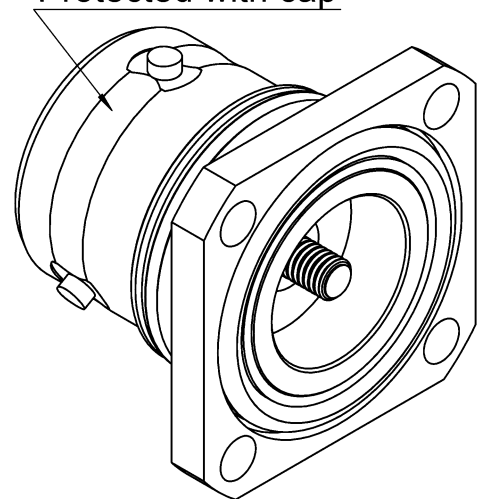


PAGE 1/2	ISSUE 06-04-16B	SERIES QLI	PART NUMBER R184405007
----------	-----------------	------------	------------------------



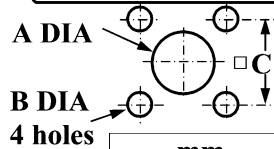
Departure all dimensions' length  
Protected with cap

**DETAIL A**  
SCALE 4 : 1



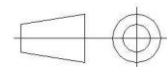
Scale: 1:1

**PANEL CUT OUT**



	mm	
	Maxi	mini
A	12.7	12.6
B	3.4	3.3
C	19.05	18.95

All dimensions are in mm.



COMPONENTS	MATERIALS	PLATING (µm)
Body	<b>BRASS</b>	<b>BBR</b>
Center contact	<b>BRASS</b>	<b>SILVER</b>
Outer contact		
Insulator	<b>PTFE</b>	
Gasket	<b>SILICONE RUBBER</b>	
Others parts		
-	-	-
-	-	-

PAGE 2/2	ISSUE <b>06-04-16B</b>	SERIES <b>QLI</b>	PART NUMBER <b>R184405007</b>
----------	------------------------	-------------------	-------------------------------

**PACKAGING**

Standard	Unit	Other
<b>50</b>	<b>Contact us</b>	<b>Contact us</b>

**ELECTRICAL CHARACTERISTICS**

Impedance		<b>50</b>	Ω
Frequency		<b>0-6</b>	GHz
VSWR	<b>1.04*</b>	<b>+</b>	<b>0.0200</b> x F(GHz) Maxi
Insertion loss		<b>0.05*</b>	√F(GHz) dB Maxi
RF leakage	- (	<b>NA</b>	- F(GHz)) dB Maxi
Voltage rating		<b>1400</b>	Veff Maxi
Dielectric withstanding voltage		<b>2500</b>	Veff mini
Insulation resistance		<b>5000</b>	MΩ mini

**ENVIRONMENTAL**

Operating temperature	<b>-55~+120</b>	°C
Hermetic seal	<b>NA</b>	Atm.cm3/s
Panel leakage	<b>IP67</b>	

**MECHANICAL CHARACTERISTICS**

Center contact retention			
Axial force – Mating End		<b>50</b>	N mini
Axial force – Opposite end		<b>30</b>	N mini
Torque		<b>20</b>	N.cm mini
Recommended torque			
Mating		<b>NA</b>	N.cm
Panel nut		<b>NA</b>	N.cm
Mating life		<b>100</b>	Cycles mini
Weight		<b>31.3000</b>	g

**SPECIFICATION**

**OTHER CHARACTERISTICS**

Assembly instruction:**NA**

Others:  
**\*Coaxial Transmission Line only**  
**IMP3<-120dBm under 2 carriers of +43dBm**  
**IP67 mated condition**