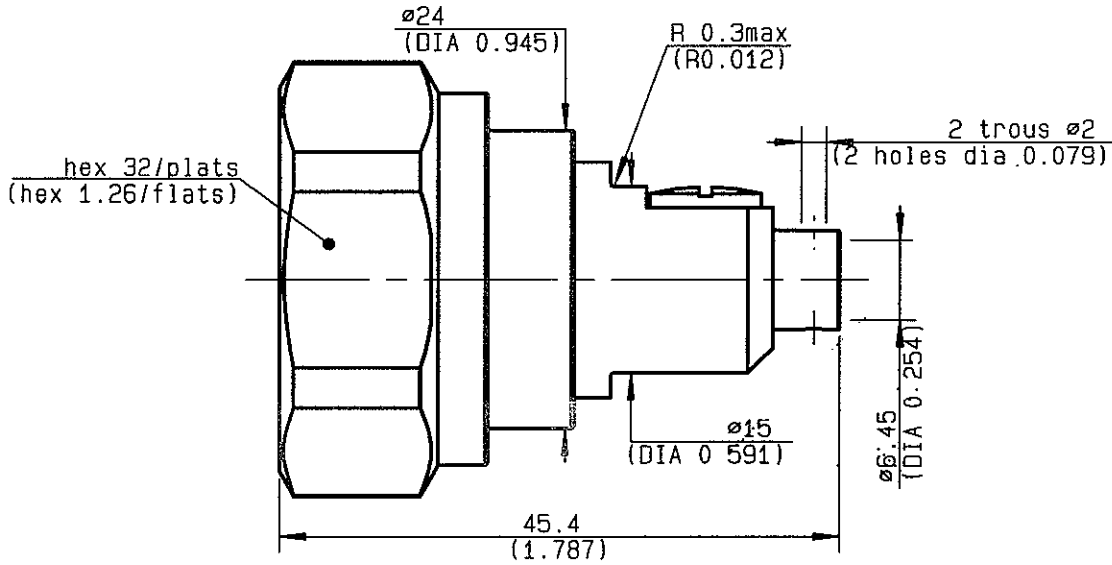


**STRAIGHT PLUG SOLDER TYPE
CABLE .250 PACKAGING PER 20**

R185.054.020
SERIES 7-16



NOMINAL IMPEDANCE	50 Ω
FREQUENCY RANGE	0-7.5 GHz
TEMPERATURE RATING	-55/+105 °C
V.S.W.R	1.2 * + x F.(GHz)Maxi
RF INSERTION LOSS	TBD √F.(GHz) dB Maxi
VOLTAGE RATING	1400 Veff Maxi
DIELECTRIC WITHSTANDING VOLTAGE	2700 Veff Mini
INSULATION RESISTANCE	10000 MΩMini
HERMETIC SEAL	NA Atm.cm ³ /s
LEAKAGE (pressurized only)	NA
MECHANICAL DURABILITY	500 Cycles
WEIGHT	gr
SPECIFICATION	

CABLES **KS 3**
RG 401

OTHERS CHARACTERISTICS

*** R.O.S : 1.10 de 0 a 3GHz**

CABLE RETENTION	500 N Mini
CENTER CONTACT RETENTION	
Axial force - mating end	200 N Mini
Axial force - opposite end	100 N Mini
Torque	NA cm.N Mini
RECOMMENDED TORQUES	
Mating	3000 cm.N
Panel nut	NA cm.N
Clamp nut	NA cm.N

CONNECTOR PARTS	MATERIALS	FINISH (all values are given in micrometers)
BODY	BRASS	SILVER 5 PASSIVATED OVER COPPER 0.5
OUTER CONTACT	BRASS	SILVER 5 PASSIVATED OVER COPPER 0.5
CENTER CONTACT	BRASS	SILVER 5 OVER COPPER 0.5
INSULATOR	PTFE	-
GASKET	SILICONE RUBBER	-
OTHERS PIECES		

ISSUE 9909A00	CREATION DATE 01-MAR-99	FILE PART-NUMBER 98-0105-292
-------------------------	-----------------------------------	--



The information given here is subject to change without notice.
Design changes may be in order to improve the product.

Connect to the future

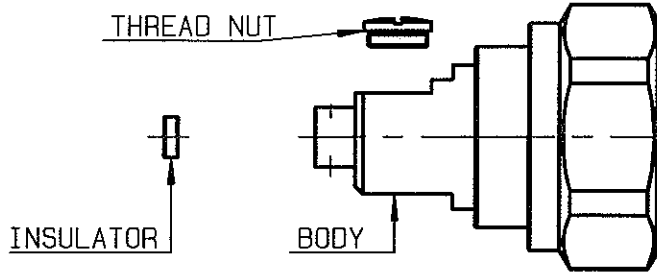
LELEU



RADIALL®

R185.054.020

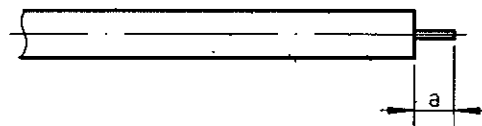
ISSUE 9909A00 SERIES 7-16



We recommend a thermal preconditioning cable

①

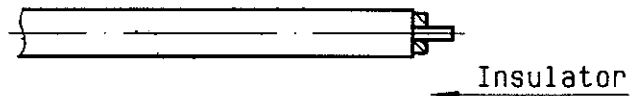
Strip the cable .
 Stripping tool R282 054 000
 Positioner R282 074 000



Stripping	a	b	c	d	e
inch	0.201 0	0	0	0	0
mm	5.1				

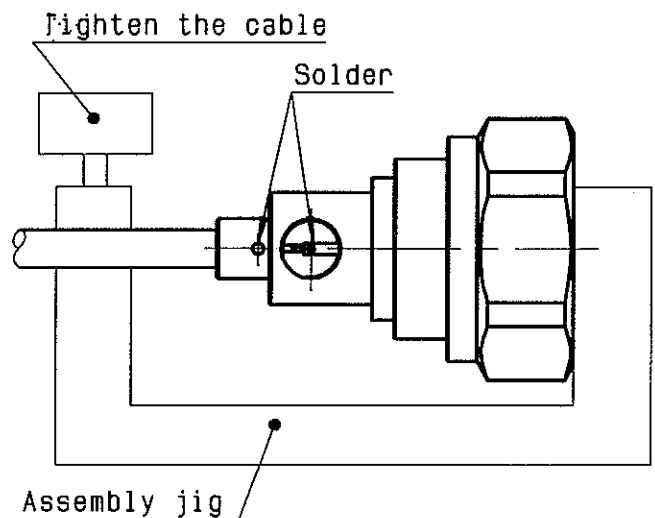
②

Slide the insulator onto the cable inner conductor .



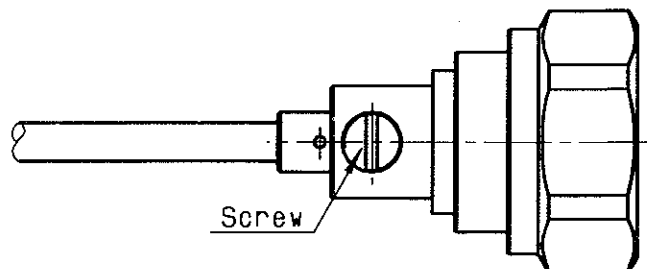
③

Introduce the cable into the connector body until it stops
 Place the sub assembly into the assembly jig R282 740 030 (or equivalent) and tighten it
 Solder the body onto the cable .
 Solder the body onto the cable .
 Let the assembly cool down before removing it from the jig .



④

Screw the cap .



LELEU