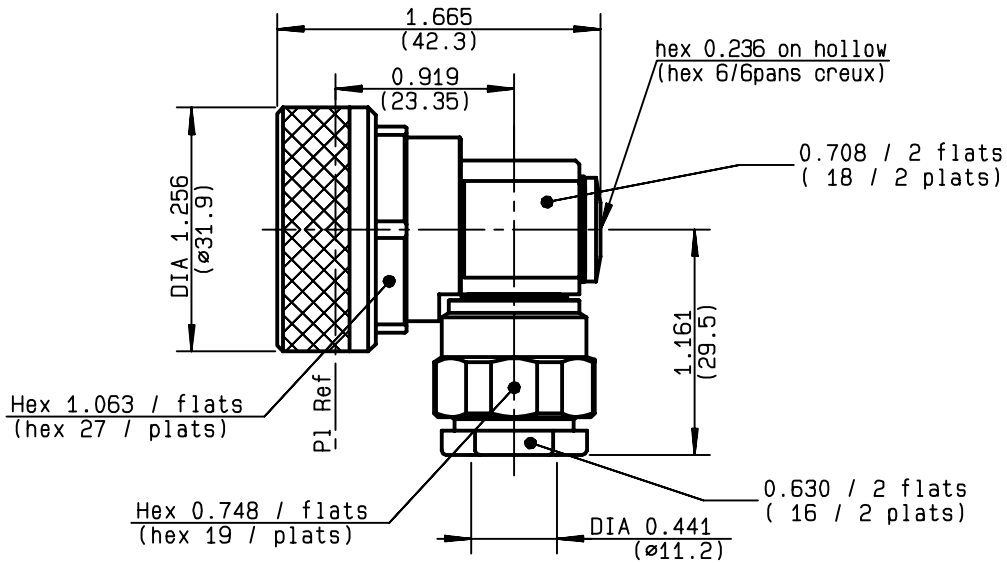


**RIGHT ANGLE PLUG CLAMP TYPE  
CABLE 10+11/50**

**R185.160.000**  
**SERIES 7-16**



NOMINAL IMPEDANCE	<b>50</b> Ω
FREQUENCY RANGE	<b>0-7.5</b> GHz
TEMPERATURE RATING	<b>-55/+155</b> °C
V.S.W.R	* + x F(GHz)Maxi
RF INSERTION LOSS	<b>0.05</b> √F(GHz) dB Maxi
VOLTAGE RATING	<b>1400</b> Veff Maxi
DIELECTRIC WITHSTANDING VOLTAGE	<b>2700</b> Veff Mini
INSULATION RESISTANCE	<b>10000</b> MΩMini
HERMETIC SEAL	<b>NA</b> Atm.cm <sup>3</sup> /s
LEAKAGE (pressurized only)	<b>NA</b>
MECHANICAL DURABILITY	<b>500</b> Cycles
WEIGHT	<b>131.4</b> gr
SPECIFICATION	

CABLES :	<b>KX 13</b>
	<b>KX 4</b>
	<b>RG 213</b>
	<b>RG 214</b>
	<b>RG 225</b>
OTHERS CHARACTERISTICS	
	<b>* ROS : 1.15 a 3 GHz</b>
CABLE RETENTION	<b>250</b> N Mini
CENTER CONTACT RETENTION	
Axial force - mating end	<b>200</b> N Mini
Axial force - opposite end	<b>100</b> N Mini
Torque	<b>2</b> cm.N Mini
RECOMMENDED TORQUES	
Mating	<b>3000</b> cm.N
Panel nut	<b>NA</b> cm.N
Clamp nut	<b>800</b> cm.N

CONNECTOR PARTS	MATERIALS	FINISH	(all values are given ) in micrometers
BODY	BRASS	BBR 0.5 OVER SILVER 3	
OUTER CONTACT	BRASS	SILVER 5 OVER COPPER 0.5	
CENTER CONTACT	BRASS	SILVER 5 OVER COPPER 0.5	
INSULATOR	PTFE	-	
GASKET	SILICONE RUBBER	-	
OTHERS PIECES	BRASS	BBR 2	

ISSUE	CREATION DATE	FILE PART-NUMBER
<b>9944F00</b>	<b>11/05/1994</b>	<b>EPC96-02</b>



GAUTIER

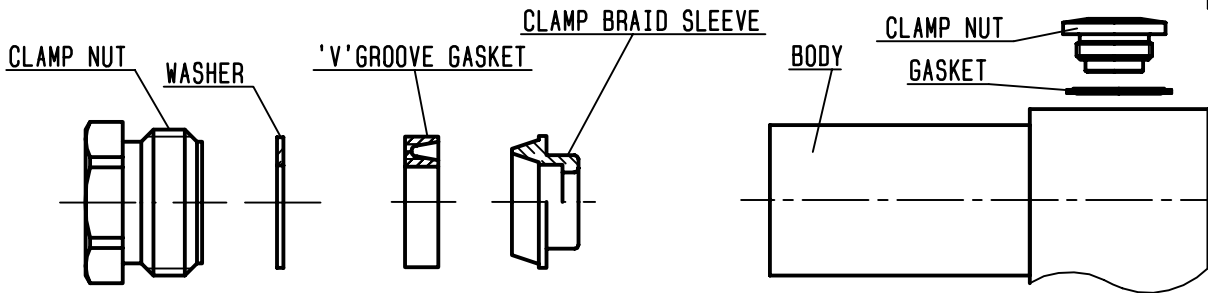
The information given here is subject to change without notice.  
Design changes may be in order to improve the product .

*Connect to the future*



**R185.160.000**

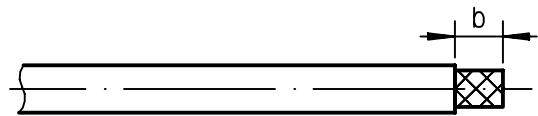
ISSUE 9944F00 SERIES 7-16



①

Strip the cable .

-  
-  
-  
-



Stripping	a	b	c	d	e
inch	0.118	0.512	0	0	0.315
mm	3	13			8

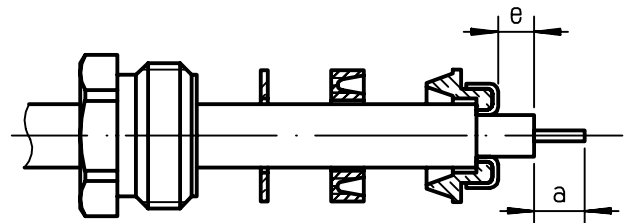
②

Slide the clamp nut and the 'V' groove gasket onto the cable .

Slide clamp braid sleeve over braid .  
Fold back braid and trim off surplus braid .

Trim back dielectric as shown .

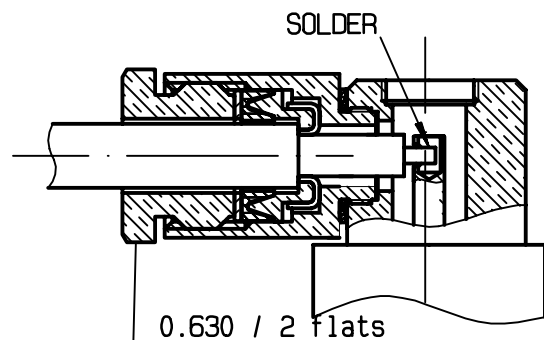
-



③

Screw sub-assembly into the connector body .  
( recommended coupling torque 70.87 in.lb )

-  
-



④

Tightly screw the cap with gasket onto connector body .

-  
-  
-  
-

