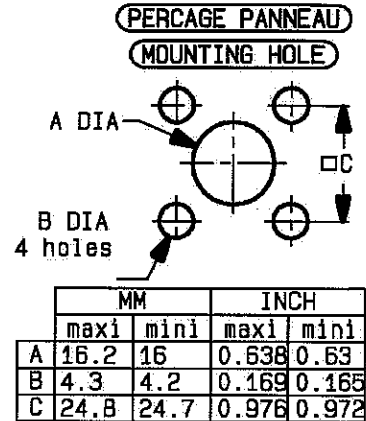
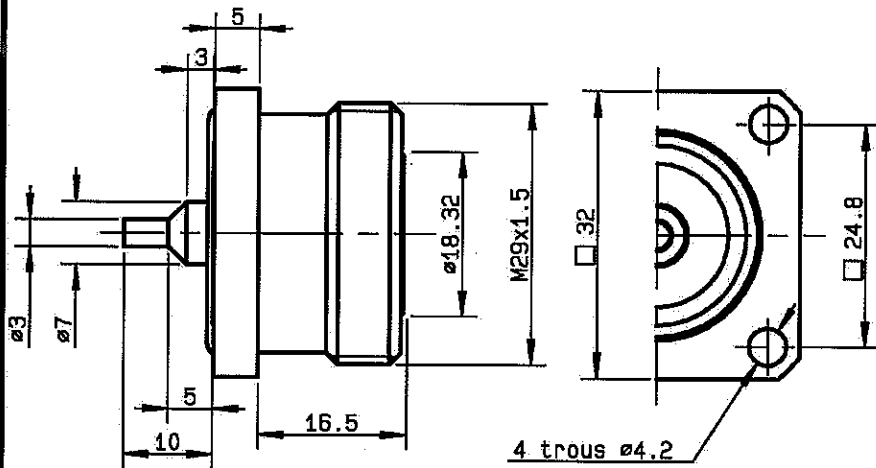


**SQUARE FLANGE JACK RECEPTACLE  
PANEL SEAL - SPECIAL CONTACT**

**R185.404.300**  
**SERIES 7-16**



NOMINAL IMPEDANCE	<b>50</b>	$\Omega$
FREQUENCY RANGE	<b>0-7.5</b>	GHz
TEMPERATURE RATING	<b>-55/+155</b>	$^{\circ}C$
V.S.W.R	<b>1.15 +</b>	x F(GHz)Maxi
RF INSERTION LOSS	<b>0.03</b>	$\sqrt{F}$ (GHz) dB Maxi
VOLTAGE RATING	<b>1400</b>	Veff Maxi
DIELECTRIC WITHSTANDING VOLTAGE	<b>4000</b>	Veff Mini
INSULATION RESISTANCE	<b>10000</b>	M $\Omega$ Mini
HERMETIC SEAL	<b>NA</b>	Atm.cm <sup>3</sup> /s
LEAKAGE (pressurized only)	<b>NA</b>	
MECHANICAL DURABILITY	<b>500</b>	Cycles
WEIGHT	<b>72.8</b>	gr
SPECIFICATION		

CABLES :

OTHERS CHARACTERISTICS : PAKAGING 20 + OPTION W

CABLE RETENTION	<b>NA</b>	N Mini
CENTER CONTACT RETENTION		
Axial force - mating end	<b>200</b>	N Mini
Axial force - opposite end	<b>200</b>	N Mini
Torque	<b>2</b>	cm.N Mini
RECOMMENDED TORQUES		
Mating	<b>NA</b>	cm.N
Panel nut	<b>NA</b>	cm.N
Clamp nut	<b>NA</b>	cm.N

CONNECTOR PARTS	MATERIALS	FINISH	(all values are given in micrometers)
BODY	BRASS	SILVER 5 PASSIVATED OVER COPPER	0.5
OUTER CONTACT	BRASS	SILVER 5 PASSIVATED OVER COPPER	0.5
CENTER CONTACT	BERYLLIUM COPPER	SILVER 5 OVER COPPER	0.5
INSULATOR	PTFE	-	
GASKET	SILICONE RUBBER	-	
OTHERS PIECES			

ISSUE <b>0812 C01</b>	CREATION DATE <b>15/04/1996</b>	FILE PART-NUMBER <b>96-0132-041</b>
--------------------------	------------------------------------	--



FANJAT

The information given here is subject to change without notice.  
Design changes may be in order to improve the product.

Connect to the future