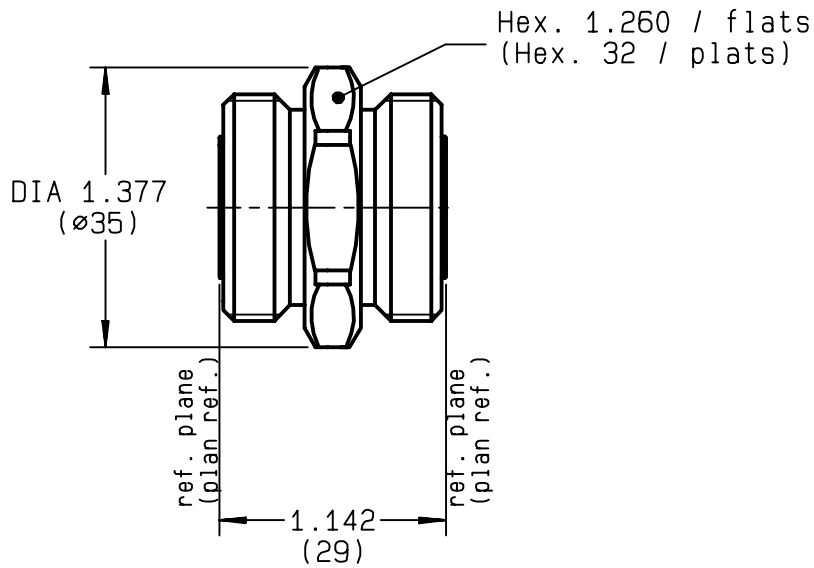


FEMALE-FEMALE ADAPTOR

R185.705.000

SERIES

7-16



NOMINAL IMPEDANCE	50 Ω	CABLES :		
FREQUENCY RANGE	0-7.5 GHz			
TEMPERATURE RATING	-55/+155 °C			
V.S.W.R	1.15 + x F(GHz)Maxi			
RF INSERTION LOSS	0.03 √F(GHz) dB Maxi			
VOLTAGE RATING	1400 Veff Maxi			
DIELECTRIC WITHSTANDING VOLTAGE	4000 Veff Mini			
INSULATION RESISTANCE	10000 MΩMini		OTHERS CHARACTERISTICS	
HERMETIC SEAL	NA Atm.cm ³ /s		CABLE RETENTION	NA N Mini
LEAKAGE (pressurized only)	NA		CENTER CONTACT RETENTION	
MECHANICAL DURABILITY	500 Cycles	Axial force - mating end	200 N Mini	
WEIGHT	91 gr	Axial force - opposite end	200 N Mini	
SPECIFICATION		Torque	NA cm.N Mini	
		RECOMMENDED TORQUES		
		Mating	NA cm.N	
		Panel nut	NA cm.N	
		Clamp nut	NA cm.N	

CONNECTOR PARTS	MATERIALS	FINISH	(all values are given) in micrometers
BODY	BRASS	SILVER 5 PASSIVATED OVER COPPER	0.5
OUTER CONTACT	BRASS	SILVER 5 PASSIVATED OVER COPPER	0.5
CENTER CONTACT	BERYLLIUM COPPER	SILVER 5 PASSIVATED OVER COPPER	0.5
INSULATOR	PTFE	-	
GASKET		-	
OTHERS PIECES			

BONOMINI

ISSUE	CREATION DATE	FILE PART-NUMBER
9944D00	18/05/1994	DM-9901-001



RADIALL®

The information given here is subject to change without notice.
Design changes may be in order to improve the product .

Connect to the future