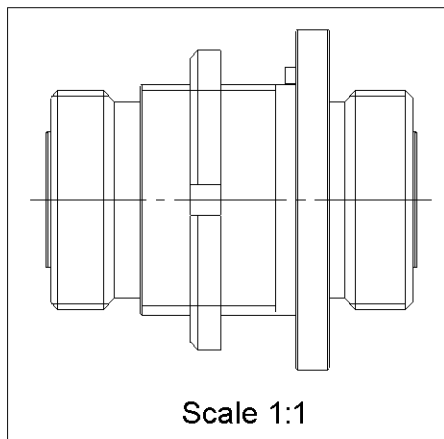
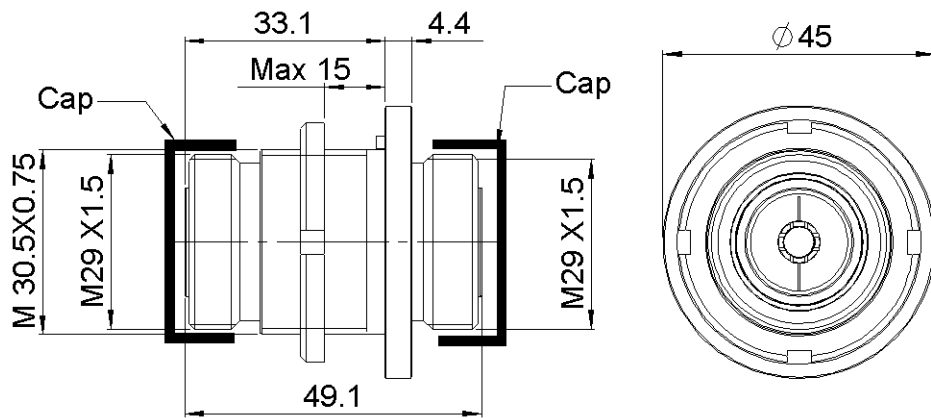
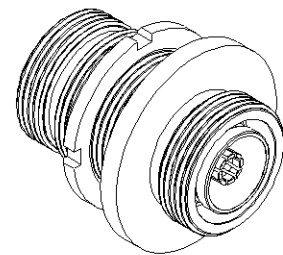


PAGE 1/2	ISSUE 29-05-15A	SERIES 7-16	PART NUMBER R185730020
----------	-----------------	-------------	------------------------

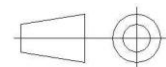


PANEL CUT OUT

	mm	
	Maxi	mini
A	30.55	30.45
B	3.3	3.2
C	17.6	17.5



All dimensions are in mm.



COMPONENTS	MATERIALS	PLATING (µm)
Body	BRASS	BBR OVER SILVER
Center contact	BERYLLIUM COPPER	SILVER PASSIVATED OVER COPPER
Outer contact	BRASS	SILVER PASSIVATED OVER COPPER
Insulator	PTFE	
Gasket	EPDM	
Others parts	BRASS	BBR
-	-	-
-	-	-

PAGE 2/2	ISSUE 29-05-15A	SERIES 7-16	PART NUMBER R185730020
----------	------------------------	--------------------	-------------------------------

PACKAGING

Standard	Unit	Other
20	Contact us	Contact us

ELECTRICAL CHARACTERISTICS

Impedance		50		Ω
Frequency		0-7.5		GHz
VSWR	1.15	+	0.0000	x F(GHz) Maxi
Insertion loss			NA	√F(GHz) dB Maxi
RF leakage	-	(NA	- F(GHz)) dB Maxi
Voltage rating			1400	Veff Maxi
Dielectric withstanding voltage			4000	Veff mini
Insulation resistance			10000	MΩ mini

MECHANICAL CHARACTERISTICS

Center contact retention				
Axial force – Mating End		200		N mini
Axial force – Opposite end		200		N mini
Torque		NA		N.cm mini
Recommended torque				
Mating		3000		N.cm
Panel nut		NA		N.cm
Mating life		500		Cycles mini
Weight	211.9220			g

ENVIRONMENTAL

Operating temperature	-55/+155		°C
Hermetic seal		NA	Atm.cm3/s
Panel leakage		NA	

SPECIFICATION

OTHER CHARACTERISTICS

Assembly instruction:

Others:

Coaxial transmission line only
>1.1 at 2GHz >1.15 at 4GHz
>1.25 at 6GHz >1.3 at 7.5GHz