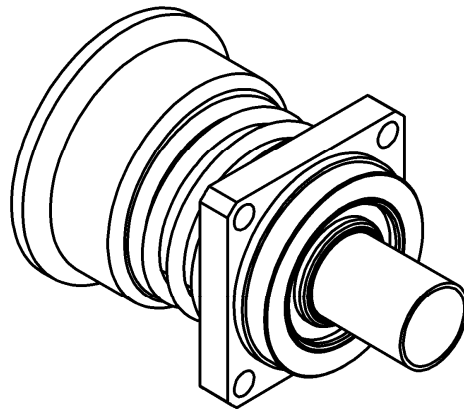
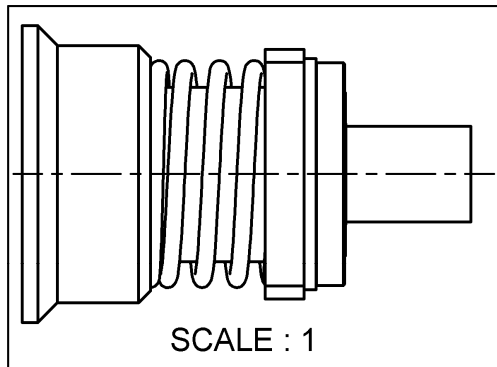
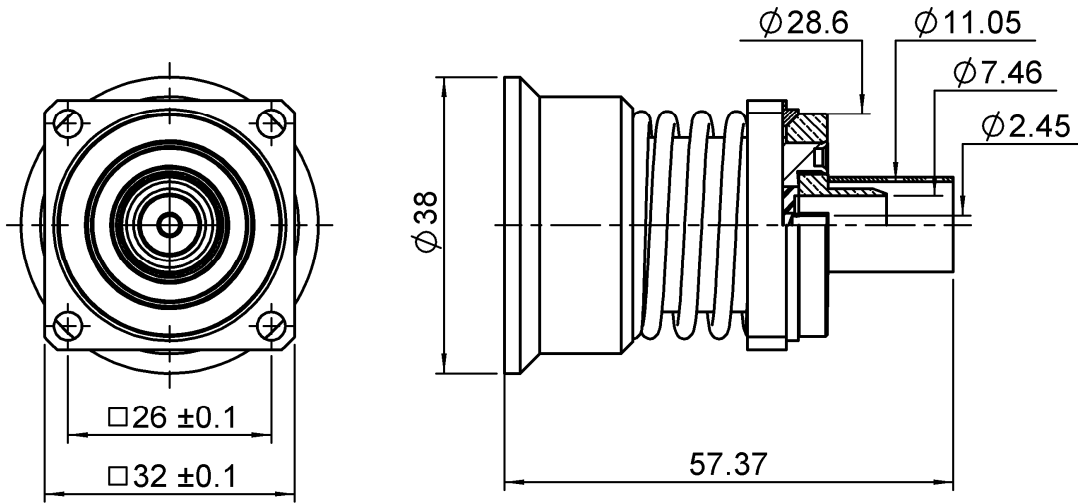


**STRAIGHT 4HOLES FLANGE FLOATING PLUG**

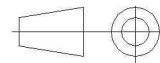
**R185.900.100**

**CABLE 10/50S**

Series : 7-16



All dimensions are in mm.



COMPONENTS	MATERIALS	PLATING (µm)
BODY	BRASS	BBR 0.5 OVER SILVER 3
CENTER CONTACT	BRASS	SILVER 5 OVER COPPER 0.5
OUTER CONTACT	BRASS	SILVER 5 OVER COPPER 0.5
INSULATOR	PTFE	
GASKET	SILICONE RUBBER	
OTHERS PARTS	BRASS	BBR 2
-	-	-
-	-	-

Issue : 1017 A

In the effort to improve our products, we reserve the right to make changes judged to be necessary.



**STRAIGHT 4HOLES FLANGE FLOATING PLUG**

**R185.900.100**

**CABLE 10/50S**

Series : 7-16

**PACKAGING**

Standard	Unit	Other
20	'W' option	Contact us

**SPECIFICATION**

**ELECTRICAL CHARACTERISTICS**

Impedance		<b>50</b> Ω
Frequency		<b>0-7.5</b> GHz
VSWR	<b>1.1*</b> +	<b>0,0000</b> x F(GHz) Maxi
Insertion loss		<b>0.05*</b> √F(GHz) dB Maxi
RF leakage	- (	<b>95</b> - F(GHz)) dB Maxi
Voltage rating		<b>1400</b> Veff Maxi
Dielectric withstanding voltage		<b>4000</b> Veff mini
Insulation resistance		<b>10000</b> MΩ mini

**CABLE ASSEMBLY**

Stripping	a	b	c	d	e	f
mm	4,00	7,30	11,3	0,00	0,00	0,00

Assembly instruction : **Crimp 01**

Recommended cable(s)

RG 213

KX 4

RG 165

Characteristics indicated on this data sheet are those that can be achieved with the highest performance cable. Intrinsic limitations of the cable may diminish the performance of the assembly

Cable retention

- pull off **250** N mini  
- torque **NA** N.cm

**MECHANICAL CHARACTERISTICS**

Center contact retention		
Axial force – Mating end	<b>200</b>	N mini
Axial force – Opposite end	<b>200</b>	N mini
Torque	<b>NA</b>	N.cm mini

**TOOLING**

Part Number	Description	Hexagon
.	.	.
R282.231.000	CRIMPING TOOL	10.54
R282.235.116	CRIMPING DIES	10.54
R282.293.000	CRIMPING TOOL M22520/5-01	

Recommended torque		
Mating	<b>NA</b>	N.cm
Panel nut	<b>NA</b>	N.cm
Clamp nut	<b>NA</b>	N.cm
A/F clamp nut	<b>0,0000</b>	mm

Mating life	<b>500</b>	Cycles mini
Weight	<b>141,0000</b>	g

**OTHER CHARACTERISTICS**

\* F : 0~3GHz  
Pre-force:Max.30N  
After 2mm compression,the force Max.42N  
PIM3:-90dBm/20W @1880MHz

**ENVIRONMENTAL**

Operating temperature	<b>-55/+155</b>	° C
Hermetic seal	<b>NA</b>	Atm.cm3/s
Panel leakage	<b>NA</b>	

Issue : 1017 A

In the effort to improve our products, we reserve the right to make changes judged to be necessary.



**STRAIGHT 4HOLES FLANGE FLOATING PLUG**

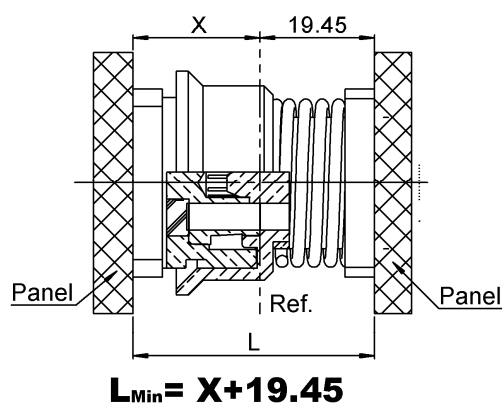
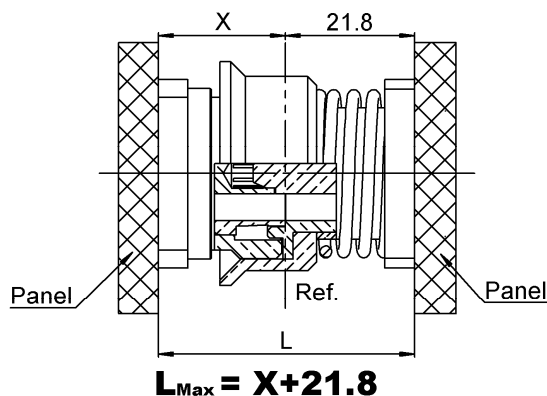
**R185.900.100**

**CABLE 10/50S**

Series : 7-16

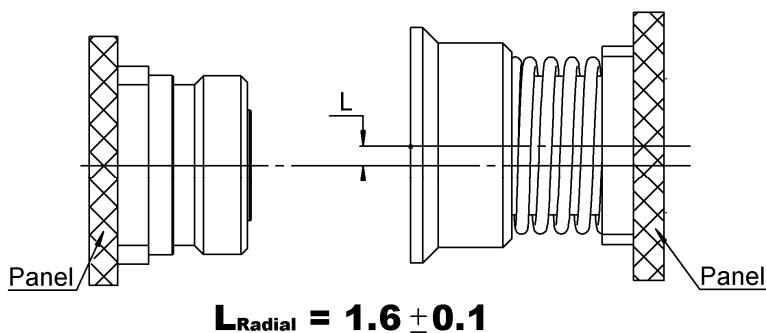
**Recommended Working Range**

1. Axial



**$X + 19.45 \leq L_{Axial} \leq X + 21.8$**

2. Radial



**Issue : 1017 A**

In the effort to improve our products, we reserve the right to make changes judged to be necessary.

