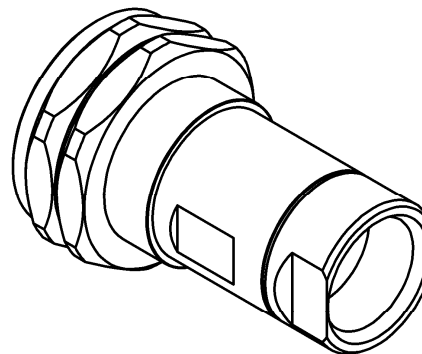
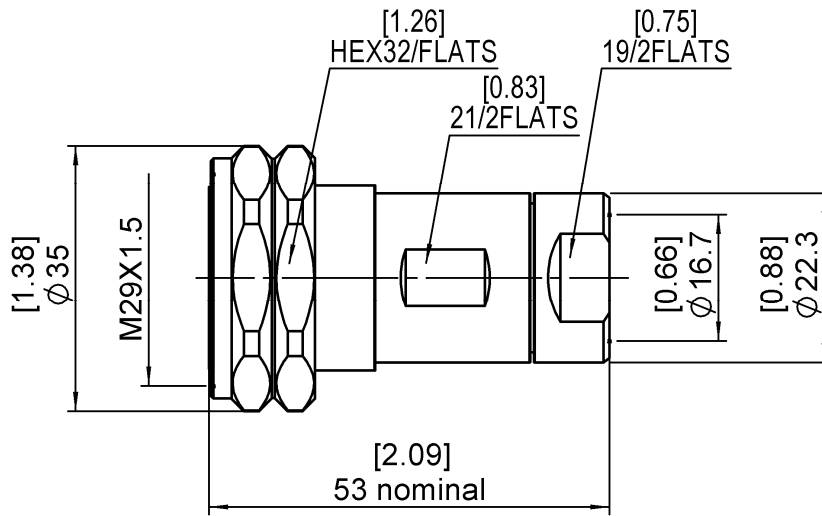


**STRAIGHT PLUG EZ FIT TYPE**

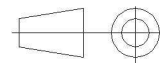
**R185A.031.020**

**1/2" CORRUGATED CABLE**

Series : ECO 7/16



All dimensions are in mm.



COMPONENTS	MATERIALS	PLATING ( $\mu\text{m}$ )
BODY	BRASS	BBR
CENTER CONTACT	BRONZE	SILVER
OUTER CONTACT		
INSULATOR	PTFE	
GASKET	SILICONE RUBBER	
OTHERS PARTS	BRASS	BBR
-	-	-
-	-	-

Issue : 0943 B

In the effort to improve our products, we reserve the right to make changes judged to be necessary.



**STRAIGHT PLUG EZ FIT TYPE**

**R185A.031.020**

**1/2" CORRUGATED CABLE**

Series : ECO 7/16

**PACKAGING**

Standard	Unit	Other
<b>1</b>	-	<b>Contact us</b>

**SPECIFICATION**

**ELECTRICAL CHARACTERISTICS**

Impedance	<b>50</b>	$\Omega$
Frequency	<b>0-3</b>	GHz
VSWR	<b>1.1 + 0.0000</b>	x F(GHz) Maxi
Insertion loss	<b>0.05</b>	$\sqrt{F}$ (GHz) dB Maxi
RF leakage	- ( <b>NA</b> )	- F(GHz)) dB Maxi
Voltage rating	<b>1400</b>	Veff Maxi
Dielectric withstanding voltage	<b>2500</b>	Veff mini
Insulation resistance	<b>10000</b>	M $\Omega$ mini

**CABLE ASSEMBLY**

Stripping	a	b	c	d	e	f
mm	5.50	20.0	0.00	0.00	0.00	0.00

Assembly instruction :

Recommended cable(s)

LCF 1/2" Cu2y  
LDF4-50A - 1/2"  
M 1473 Z  
M 2831 Z

Characteristics indicated on this data sheet are those that can be achieved with the highest performance cable. Intrinsic limitations of the cable may diminish the performance of the assembly

Cable retention

- pull off **400** N mini  
- torque **NA** N.cm

**MECHANICAL CHARACTERISTICS**

Center contact retention		
Axial force – Mating end	<b>200</b>	N mini
Axial force – Opposite end	<b>100</b>	N mini
Torque	<b>NA</b>	N.cm mini

**TOOLING**

Recommended torque		
Mating	<b>3500</b>	N.cm
Panel nut	<b>NA</b>	N.cm
Clamp nut	<b>800</b>	N.cm
A/F clamp nut	<b>19.0000</b>	mm

Part Number	Description	Hexagon
.	.	.
R282.011.050	STRIPPING TOOL	

Mating life	<b>100</b>	Cycles mini
Weight	<b>108.2000</b>	g

**OTHER CHARACTERISTICS**

Watertightness:IP67

**ENVIRONMENTAL**

Operating temperature	<b>-40/+85</b>	$^{\circ}$ C
Hermetic seal	<b>NA</b>	Atm.cm3/s
Panel leakage	<b>NA</b>	

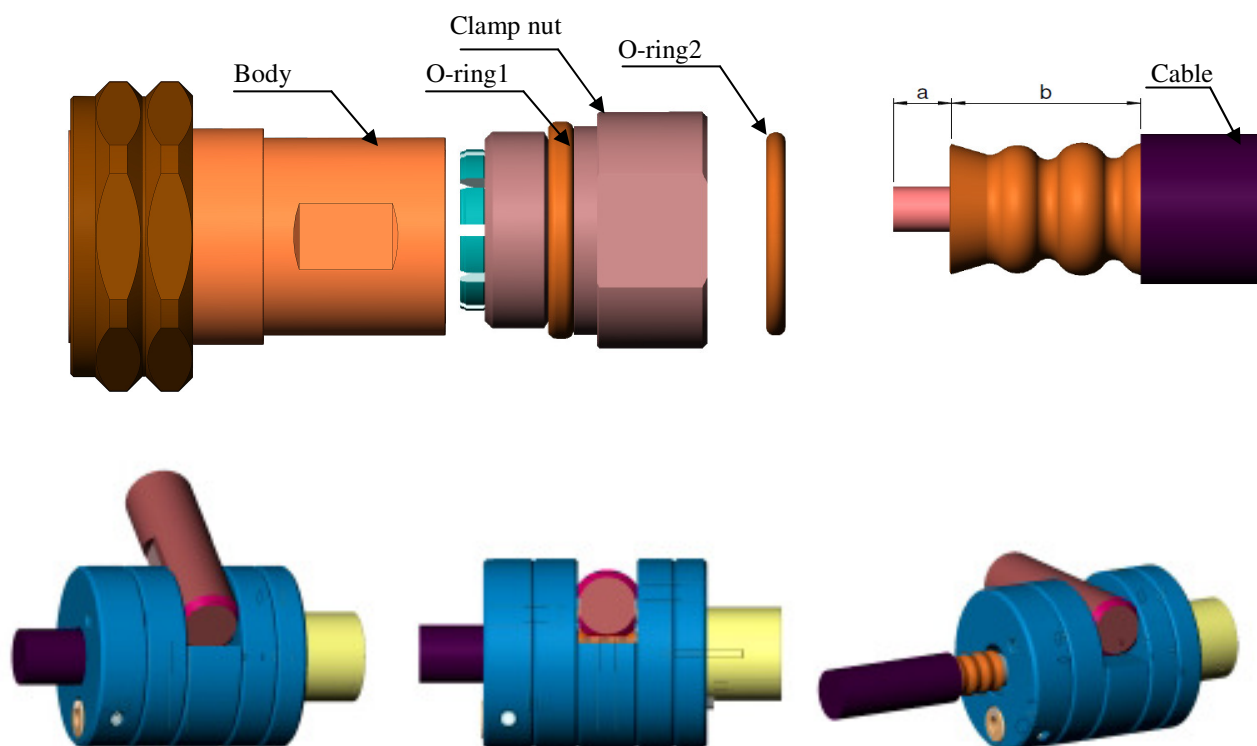
Issue : 0943 B

In the effort to improve our products, we reserve the right to make changes judged to be necessary.



**STRAIGHT PLUG EZ FIT TYPE****1/2" CORRUGATED CABLE****R185A.031.020**

Series : ECO 7/16

**1) STRIPPING OF THE SHEAT AND THE OUTER CONDUCTOR**

- Cut the cable end in a hollow with a hacksaw .
- Raise the handle and introduce the cable until it stops in the stripping tool.
- Push down the handle by exerting a light pressure on it , keep turning the tool until it turns freely.
- Hold the handle down , and turn the tool ( of approximately  $\frac{1}{4}$  of tour ) in the opposite direction , while pulling gently on the cable in order to release pieces of the cable cut.
- Raise the handle, slide the cable out and remove loose pieces of cable.
- In case of cut parts jammed in the tool : raise the handle , introduce again the stripped cable in the tool, screw slightly the cable into the copper previously cut and remove cable + loose parts.
- Push down again the handle.

**Issue : 0943 B**

In the effort to improve our products, we reserve the right to make changes judged to be necessary.