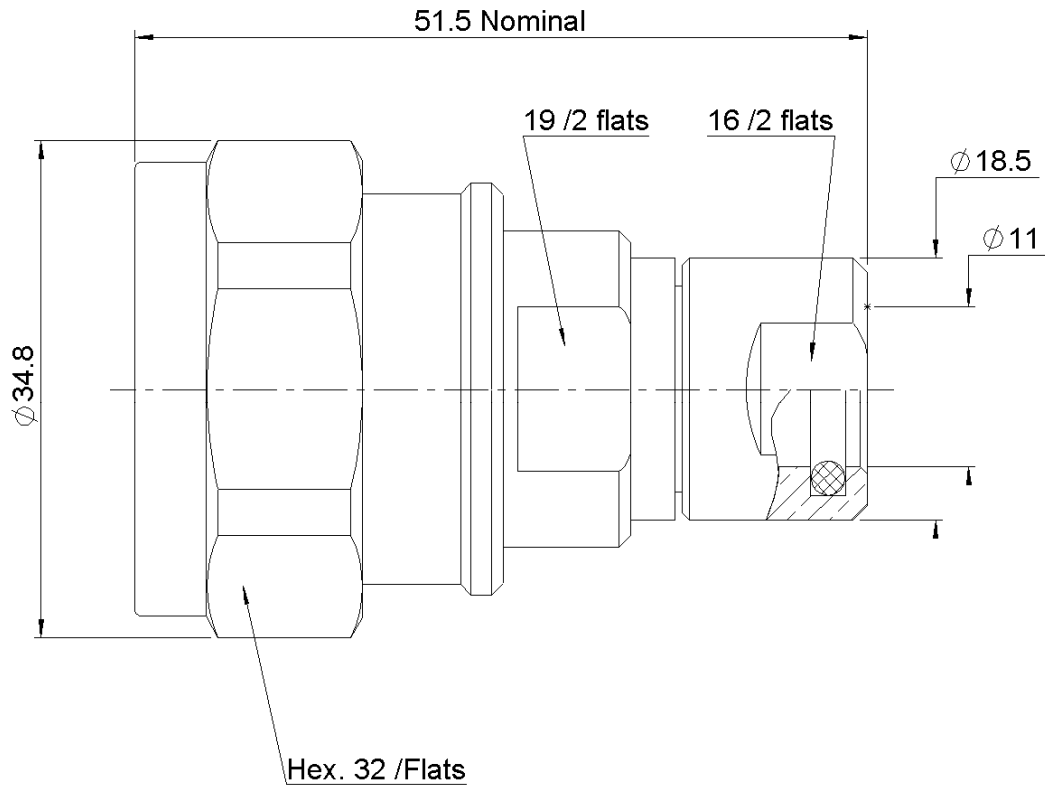
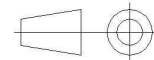


PAGE 1/3	ISSUE 1334B	SERIES ECO 7/16	PART NUMBER R185A032200
----------	-------------	-----------------	-------------------------



All dimensions are in mm.



COMPONENTS	MATERIALS	PLATING (µm)
Body	<b>BRASS</b>	<b>BBR</b>
Center contact	<b>BRONZE</b>	<b>SILVER</b>
Outer contact		
Insulator	<b>PTFE</b>	
Gasket	<b>SILICONE RUBBER</b>	
Others parts	<b>BRASS</b>	<b>BBR</b>
-	-	-
-	-	-

PAGE 2/3	ISSUE 1334B	SERIES ECO 7/16	PART NUMBER R185A032200
----------	-------------	-----------------	-------------------------

### PACKAGING

Standard	Unit	Other
20	Contact us	Contact us

### ELECTRICAL CHARACTERISTICS

Impedance	50	Ω
Frequency	0-3	GHz
VSWR	1.1 + 0.0000	x F(GHz) Maxi
Insertion loss	0.05	√F(GHz) dB Maxi
RF leakage	NA	- F(GHz) dB Maxi
Voltage rating	900	Veff Maxi
Dielectric withstanding voltage	1500	Veff mini
Insulation resistance	5000	MΩ mini

### MECHANICAL CHARACTERISTICS

Center contact retention			
Axial force – Mating End	200	N mini	
Axial force – Opposite end	100	N mini	
Torque	NA	N.cm mini	
Recommended torque			
Mating	3500	N.cm	
Panel nut	NA	N.cm	
Clamp nut	950	N.cm	
A/F clamp nut	16.0000	mm	
Mating life	100	Cycles mini	
Weight	140.8000	g	

### ENVIRONMENTAL

Operating temperature	-40/+85	°C
Hermetic seal	NA	Atm.cm3/s
Panel leakage	NA	

### SPECIFICATION

### CABLE ASSEMBLY

Stripping	a	b	c	d	e	f
mm	8	24	0	0	0	0

Assembly instruction:

Recommended cable(s)

**FSJ2-50-3/8"HELIAX**

Characteristics indicated on this data sheet are those that can be achieved with the highest performance cable. Intrinsic limitations of the cable may diminish the performance of the assembly

Cable retention

- pull off	250	N mini
- torque	NA	N.cm

### TOOLING

Part Number	Description	Hexagon
R282010040	STRIPPING TOOL	

### OTHER CHARACTERISTICS

**Watertightness:IP67**